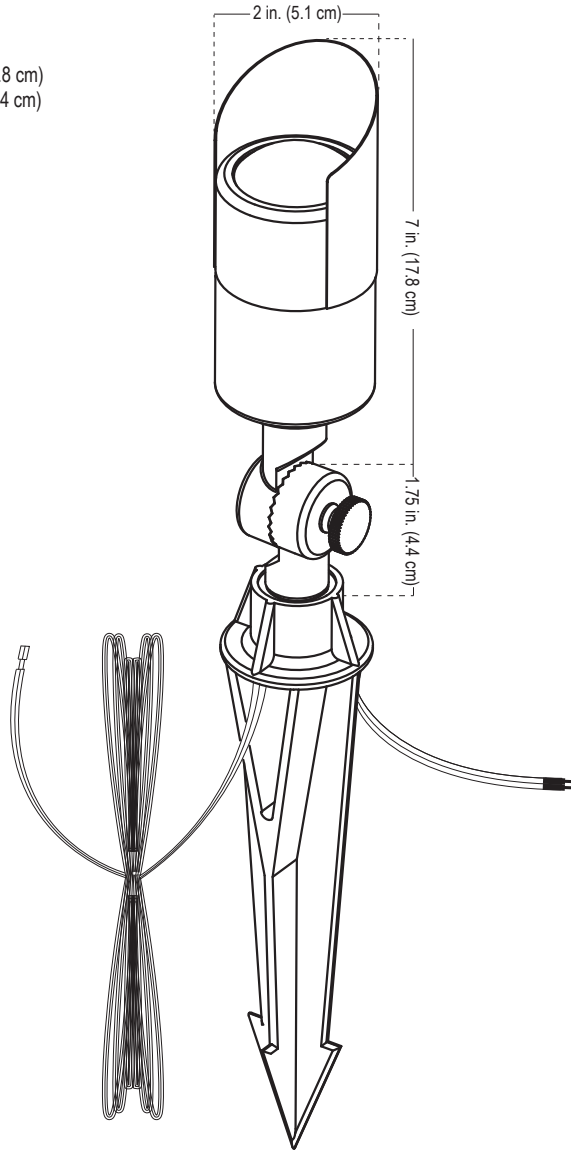


ALLIANCE

Specification Sheet

Model: BL100 (MR16 Bullet Light)

Fixture Length: 7 in. (17.8 cm)
 Base Height: 1.75 in. (4.4 cm)
 Width: 2 in. (5.1 cm)



Notes:

Project:
Type:

Specifications and Features:

- Body:** Solid brass with an aged brass finish
- Knuckle:** Solid brass with dial adjustment for easy adjustments
- Shroud:** Brass with a clear glass convex lens and double o-ring gasket
- Socket:** Spring loaded ceramic bi-pin socket with dual contact and lamp clips
- Wire:** Industry First, double wire lead pre-connected to the fixture, 16 awg (*UL listed*), brown
 - 25 foot wire lead, pre-stripped for easy wire connection
 - 18 inch wire lead, LED connection ready
- Stake:** Plastic ground stake, attached to the fixture (8.5 in; 21.6 cm length)
- Warranty:** Lifetime warranty on fixture housing
- Certification:** UL Listed to U.S. and Canadian safety standards for low voltage landscape luminaires (UL 1838)



Lamp Options

Model #	Base Type	Angle	Wattage	Lumen Output
LMR16-LED-4W-NS	MR16	15°	4w	250lm
LMR16-LED-4W-F	MR16	45°	4w	250lm
LMR16-LED-4W-WF	MR16	60°	4w	250lm
LMR16-LED-5W-NS	MR16	15°	5w	310lm
LMR16-LED-5W-F	MR16	45°	5w	310lm
LMR16-LED-5W-WF	MR16	60°	5w	310lm
LMR16-35-36 (Halogen)	MR16	45°	35w	310lm

LED Ordering Guide: Model-Lamp Wattage-Lamp Angle
 Example: BL100-LED-5W-F

Accessories Available:

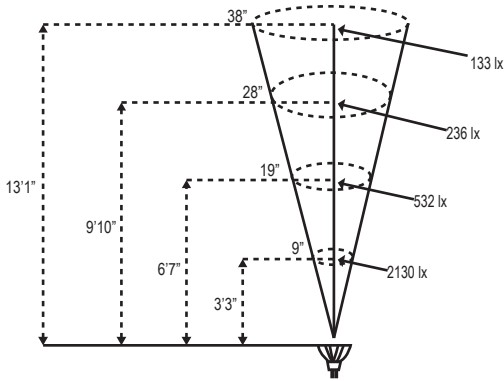
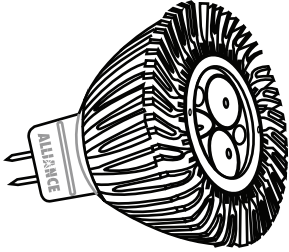
MR16 Accessories:

Mounting Accessories:	Linear Lens
RISER6 - 6" brass riser, aged brass finish	Frosted Lens
RISER12 - 12" brass riser, aged brass finish	Spread Lens
RISER18 - 18" brass riser, aged brass finish	Blue Lens
RISERADJ - Adjustable plastic riser, aged brass cap	Hex Louver
RMB - Round Mounting Base	
GUTTERMOUNT	

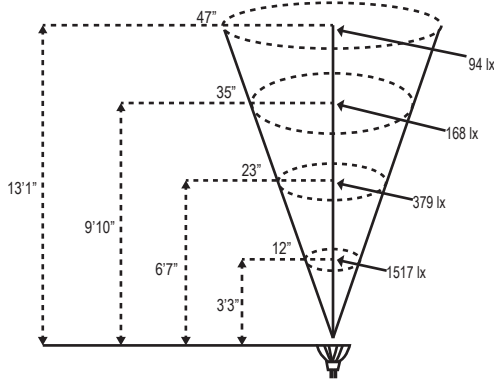
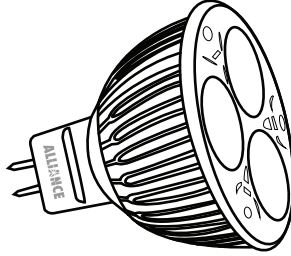
Project:
Type:

MR16 LED Photometric Comparisons

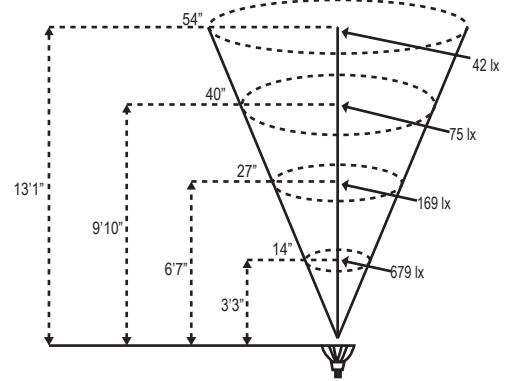
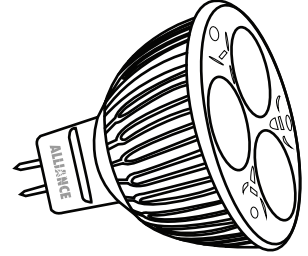
LMR16-LED-5W-NS



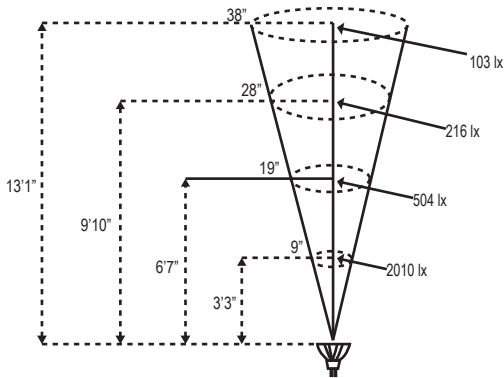
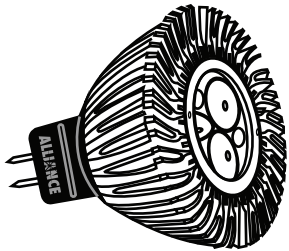
LMR16-LED-5W-F



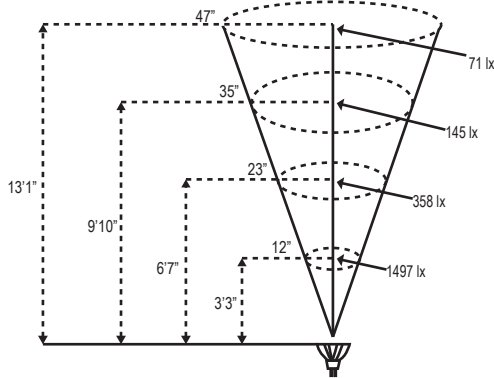
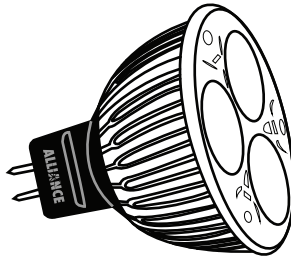
LMR16-LED-5W-WF



LMR16-LED-4W-NS



LMR16-LED-4W-F



LMR16-LED-4W-WF

