

## Product Specifications

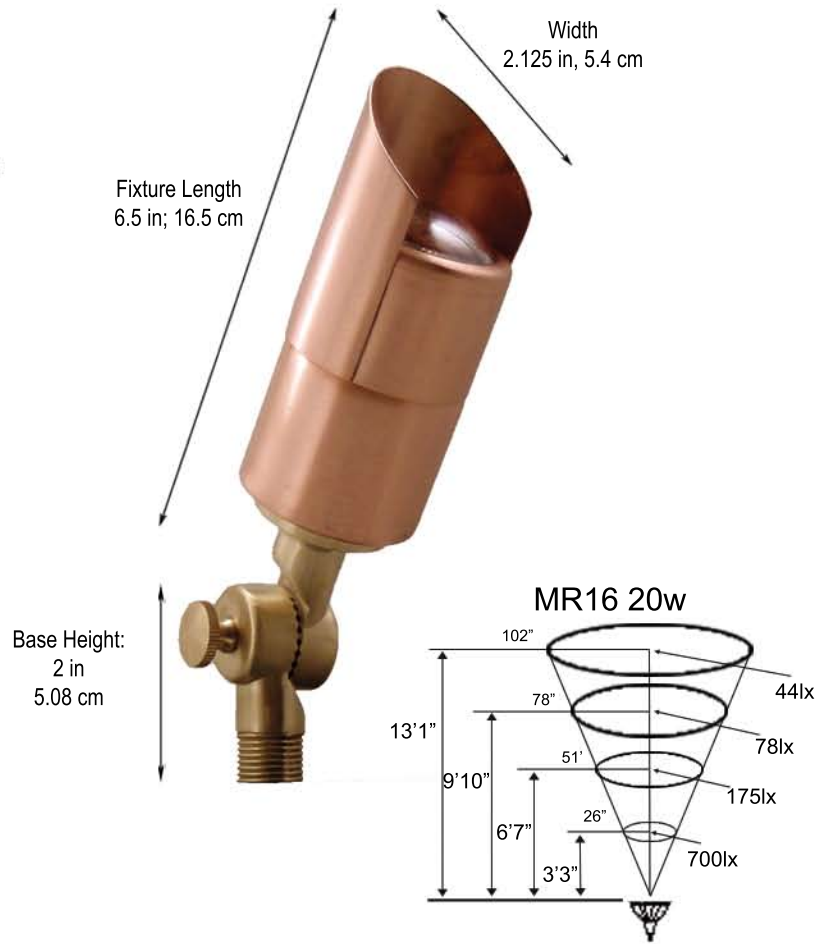
**Model #:** BL105-COP

**Description:** Directional Up Light

**Specifications/Features:**

The following items come standard with a BL105-COP:

- ◆ Copper Fixture
- ◆ Solid brass knuckle with dial adjustment
- ◆ Copper shroud with rubber gasket
- ◆ Ceramic bi-pin socket with lamp clip
- ◆ Clear convex lens
- ◆ MR 16 halogen lamp, 20 watt (included)
  - Maximum Wattage = 35 watts
- ◆ 18 Inch wire lead, 16 awg (UL listed), brown
  - Pre-connected to the fixture
  - Pre-stripped for easy wire connection
- ◆ Plastic ground stake (8.5 in; 21.6 cm length)
- ◆ Lifetime warranty on fixture housing  
(Lamp does not carry a warranty)



## Project Specifications

**Project Name/ID:** \_\_\_\_\_ **Project Location:** \_\_\_\_\_

**Total # of BL105-COPs:** \_\_\_\_\_ **Total # of Transformers:** \_\_\_\_\_

**Location of This BL105-COP:** \_\_\_\_\_ **Lamp Wattage:** \_\_\_\_\_

**Distance From Transformer:** \_\_\_\_\_ **Voltage Tap:** \_\_\_\_\_

*Revision Date: 01/11/10*