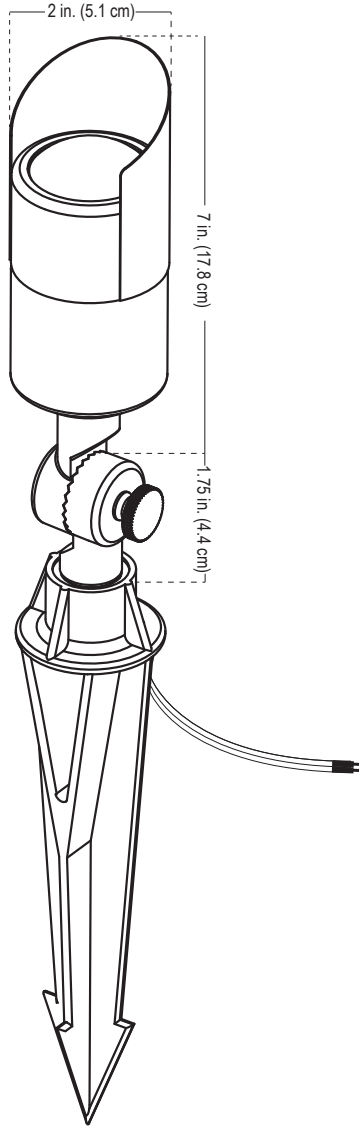


ALLIANCE

Specification Sheet

Model: BL105 (MR16 Bullet Light)

Fixture Length: 7 in. (17.8 cm)
 Base Height: 1.75 in. (4.4 cm)
 Width: 2 in. (5.1 cm)



Notes:

Project:
Type:

Specifications and Features:

Body: Solid brass with an aged brass finish

Knuckle: Solid brass with dial adjustment for easy adjustments

Shroud: Brass with a clear glass convex lens and double o-ring gasket

Socket: Spring loaded ceramic bi-pin socket with dual contact and lamp clips

Wire: 18" lead, 16 awg (UL listed), brown, pre-connected to the fixture and pre-stripped for easy wire connection.

Stake: Plastic ground stake, attached to the fixture (8.5 in; 21.6 cm length)

Warranty: Lifetime warranty on fixture housing

Certification: Complies with the requirements of UL-1838 and CAN/CSA-C22.2 No. 250.7. Identified with the ETL and cETL Listed Mark.



Lamp Options

Model #	Base Type	Angle	Wattage	Lumen Output
LMR16-LED-4W-NS	MR16	15°	4w	250lm
LMR16-LED-4W-F	MR16	45°	4w	250lm
LMR16-LED-4W-WF	MR16	60°	4w	250lm
LMR16-LED-5W-NS	MR16	15°	5w	310lm
LMR16-LED-5W-F	MR16	45°	5w	310lm
LMR16-LED-5W-WF	MR16	60°	5w	310lm
LMR16-20-36 (Halogen)	MR16	45°	20w	250lm

LED Ordering Guide: Model-Lamp Wattage-Lamp Angle
 Example: BL105-LED-5W-F

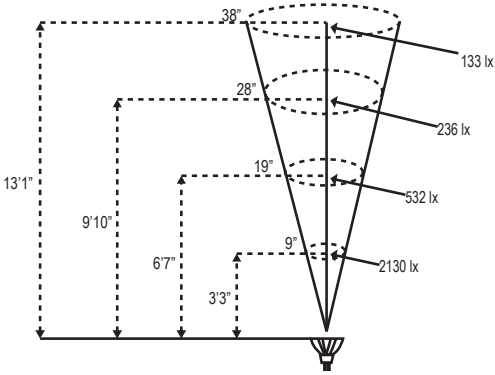
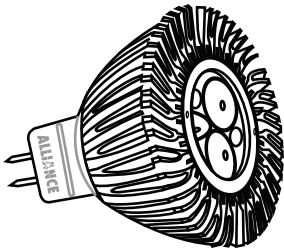
Accessories Available:

Mounting Accessories:	MR16 Accessories:
RISER6 - 6" brass riser, aged brass finish	Linear Lens
RISER12 - 12" brass riser, aged brass finish	Frosted Lens
RISER18 - 18" brass riser, aged brass finish	Spread Lens
RISERADJ - Adjustable plastic riser, aged brass cap	Blue Lens
RMB - Round Mounting Base	Hex Louver
GUTTERMOUNT	

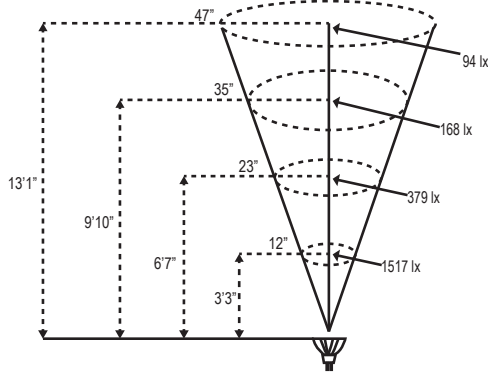
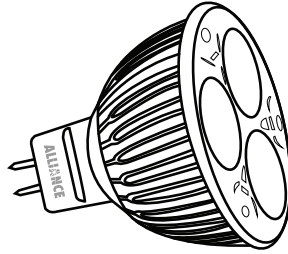
Project:
Type:

MR16 LED Photometric Comparisons

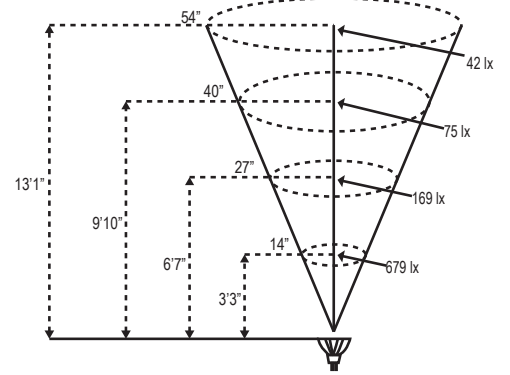
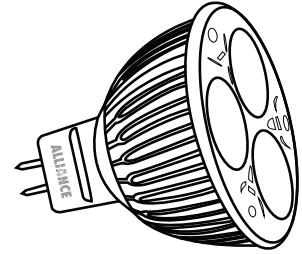
LMR16-LED-5W-NS



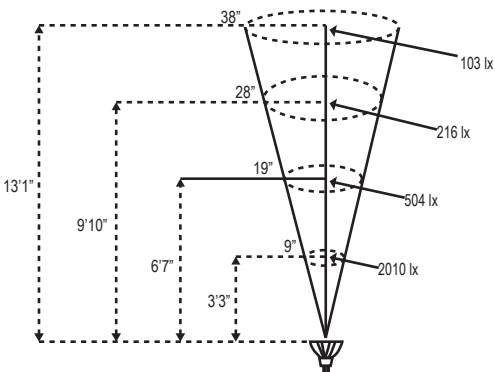
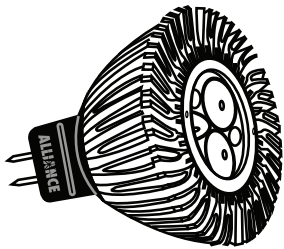
LMR16-LED-5W-F
(also available in Blue, Red, Green and Amber)



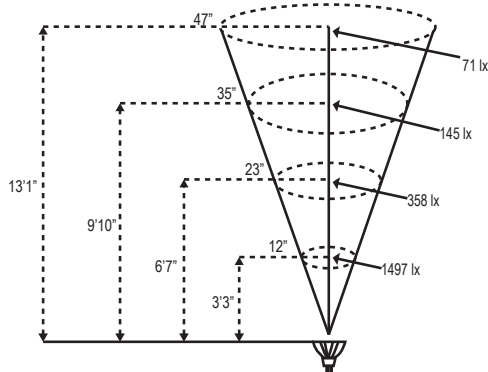
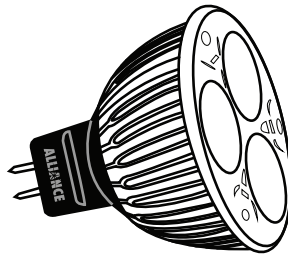
LMR16-LED-5W-WF



LMR16-LED-4W-NS



LMR16-LED-4W-F



LMR16-LED-4W-WF

