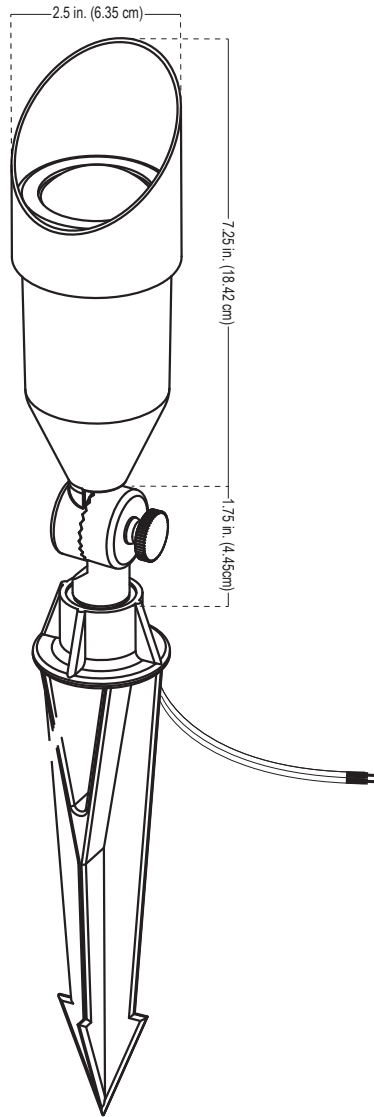


# ALLIANCE

## Specification Sheet

### Model: BL200 (MR16 Bullet Light)

Fixture Length: 7.25 in. (18.42 cm)  
Base Height: 1.75 in. (4.45cm)  
Width: 2.5 in. (6.35 cm)



Notes:

Project:

Type:

#### Specifications and Features:

**Body:** Solid brass with an aged brass finish

**Knuckle:** Solid brass with dial adjustment for easy adjustments

**Shroud:** Brass with a clear glass convex lens and double o-ring gasket

**Socket:** Spring loaded ceramic bi-pin socket with dual contact and lamp clips

**Wire:** Industry First, double wire lead pre-connected to the fixture, 16 awg (*UL listed*), brown  
-25 foot wire lead, pre-stripped for easy wire connection  
-18 inch wire lead, LED connection ready

**Stake:** Plastic ground stake, attached to the fixture (8.5 in; 21.6 cm length)

**Warranty:** Lifetime warranty on fixture housing

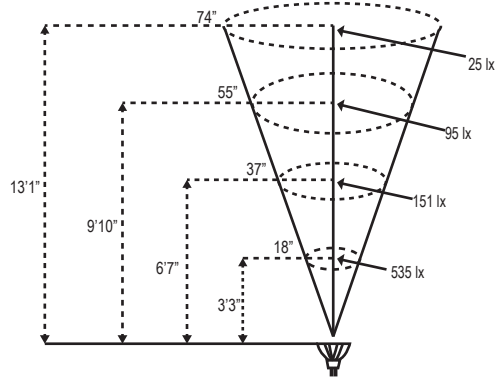
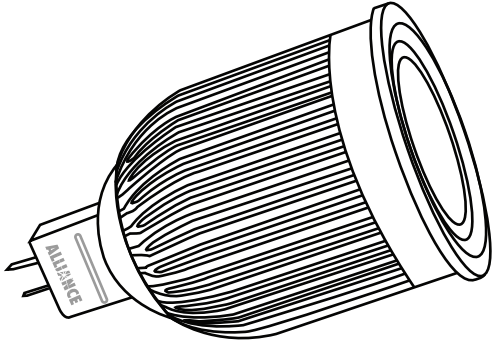
**Certification:** Complies with the requirements of UL-1838 and CAN/CSA-C22.2 No. 250.7. Identified with the ETL and cETL Listed Mark.



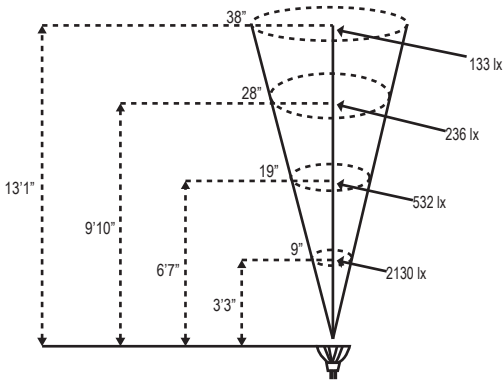
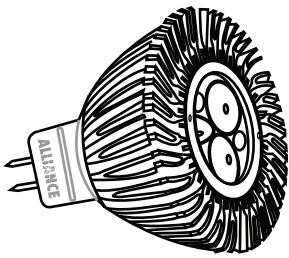
Project:
Type:

## MR16 LED Photometric Comparisons

LMR16-LED-6W-F

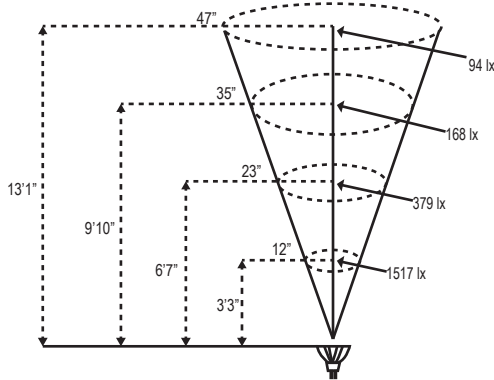
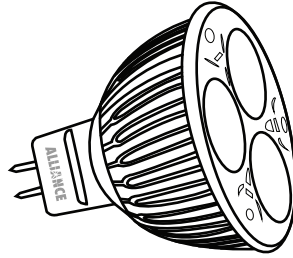


LMR16-LED-5W-NS

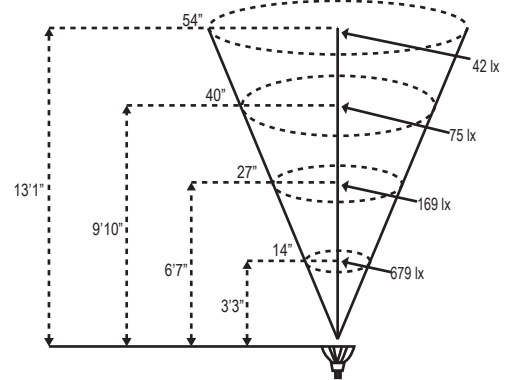
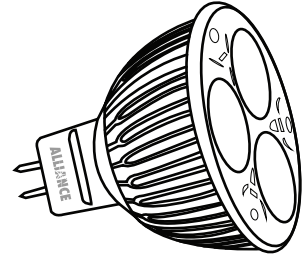


LMR16-LED-5W-F

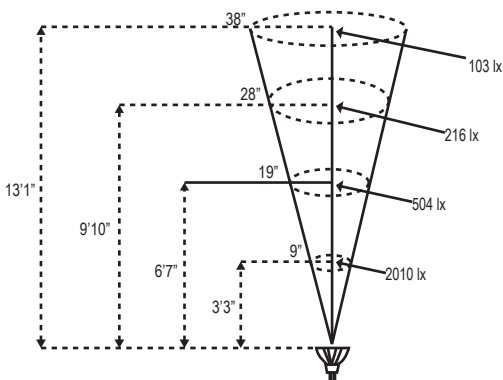
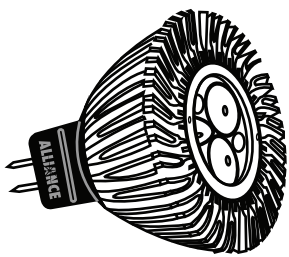
(also available in Blue, Red, Green and Amber)



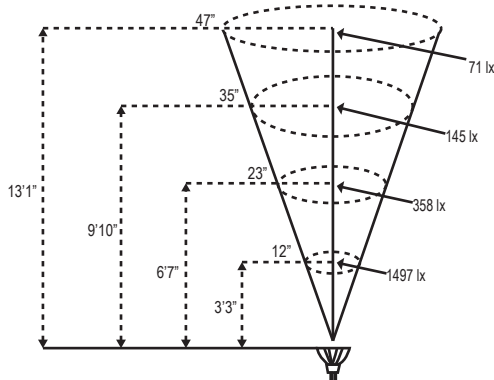
LMR16-LED-5W-WF



LMR16-LED-4W-NS



LMR16-LED-4W-F



LMR16-LED-4W-WF

