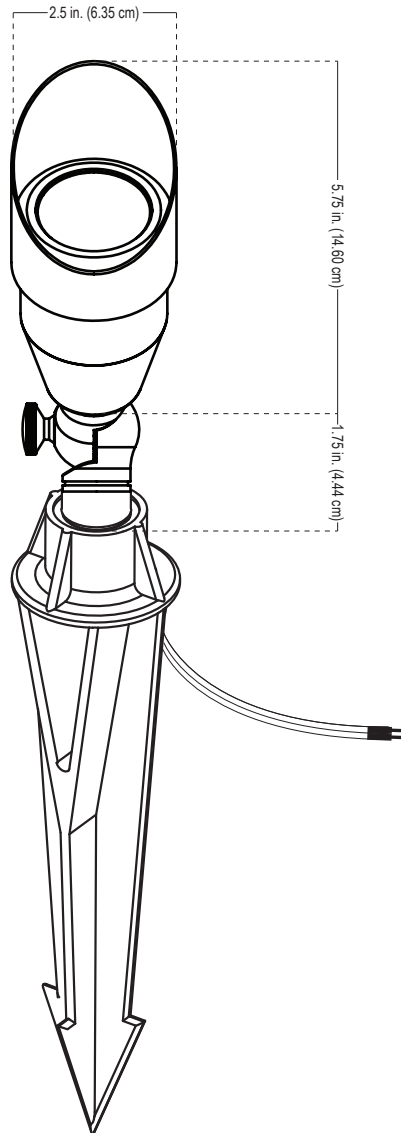


ALLIANCE

Specification Sheet

Model: BL205-COP (Copper Bullet Light)

Fixture Height: 5.75 in. (14.60 cm)
 Fixture Width: 2.5 in. (6.35 cm)
 Base Height: 1.75 in. (4.44 cm)



Notes:

Project:
Type:

Specifications and Features:

- Body:** Copper fixture, natural copper finish
- Knuckle:** Cast brass knuckle with dial adjustment, natural brass finish
- Shroud:** Fully adjustable copper shroud with rubber gasket
- Lens:** Clear convex lens
- Socket:** Spring loaded ceramic bi-pin socket with dual contact and lamp clips
- Wire:** 18 inch wire lead, 16 awg (UL listed), brown, Pre-connected to the fixture, Pre-stripped for easy wire connection
- Stake:** Plastic ground stake, attached to the fixture (8.5 in; 21.6 cm length)
- Warranty:** Lifetime warranty on fixture housing
- Certifications:** Complies with the requirements of UL-1838 and CAN/CSA-C22.2 No. 250.7. Identified with the ETL and cETL Listed Mark.



Lamp Options

Model #	Base Type	Angle	Wattage	Lumen Output
LMR16-LED-4W-NS	MR16	15°	4w	250lm
LMR16-LED-4W-F	MR16	45°	4w	250lm
LMR16-LED-4W-WF	MR16	60°	4w	250lm
LMR16-LED-5W-NS	MR16	15°	5w	310lm
LMR16-LED-5W-F	MR16	45°	5w	310lm
LMR16-LED-5W-WF	MR16	60°	5w	310lm
LMR16-20-36 (Halogen)	MR16	45°	20w	250lm

LED Ordering Guide: Model-Lamp Wattage-Lamp Angle
 Example: BL205COP-LED-5W-F

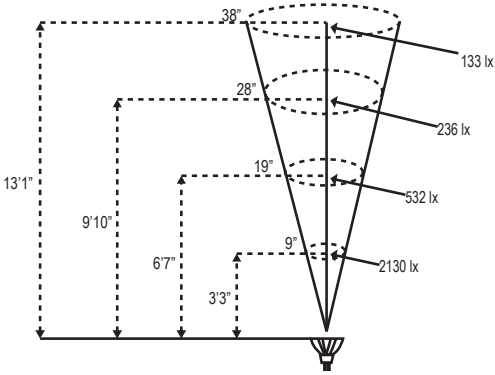
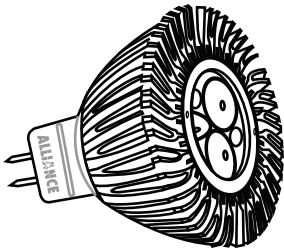
Accessories Available:

MR16 Accessories:
Linear Lens
Frosted Lens
Spread Lens
Blue Lens
Hex Louver

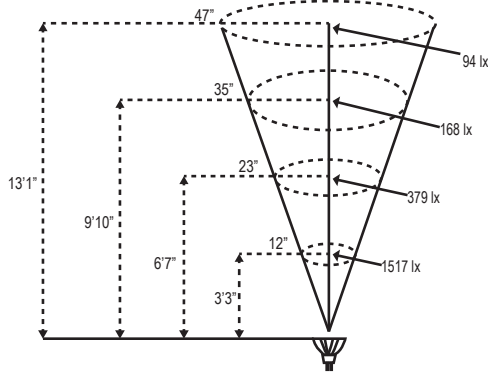
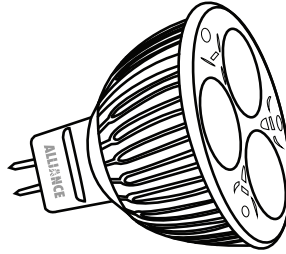
Project:
Type:

MR16 LED Photometric Comparisons

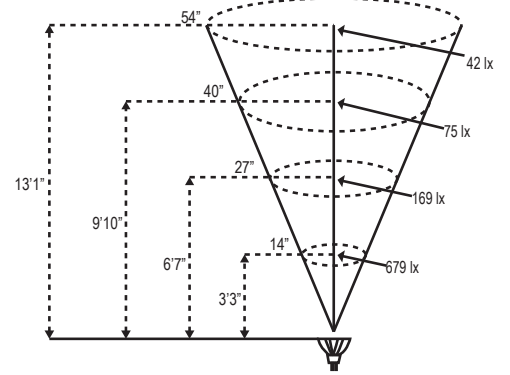
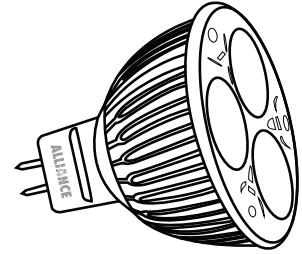
LMR16-LED-5W-NS



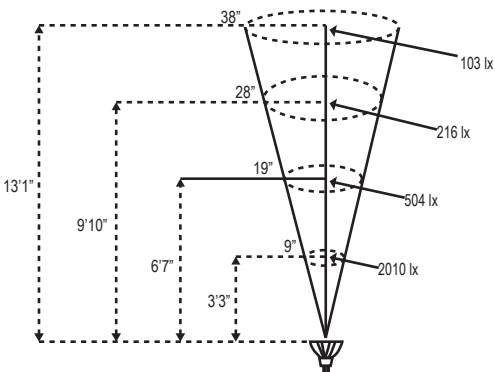
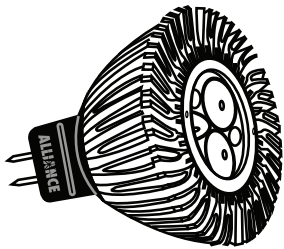
LMR16-LED-5W-F
(also available in Blue, Red, Green and Amber)



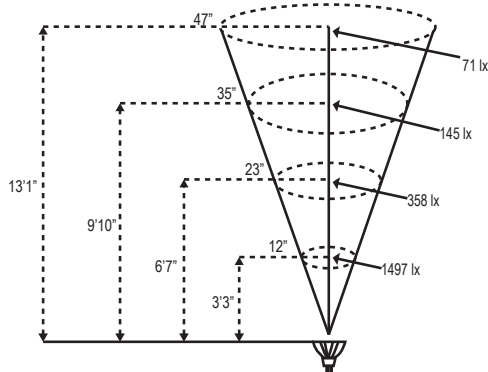
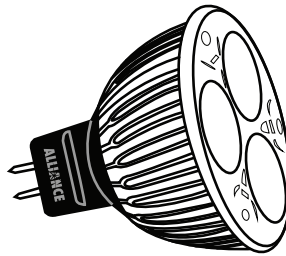
LMR16-LED-5W-WF



LMR16-LED-4W-NS



LMR16-LED-4W-F



LMR16-LED-4W-WF

