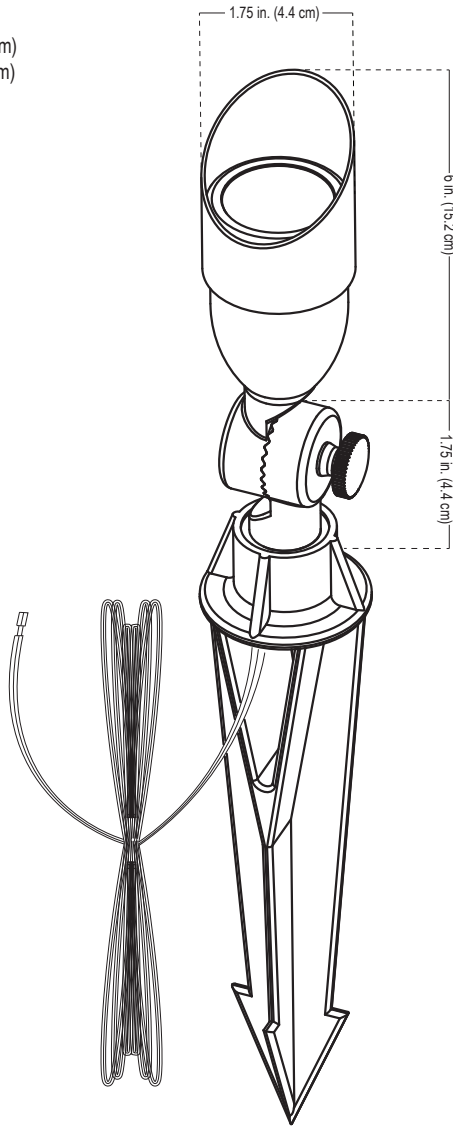


ALLIANCE

Specification Sheet

Model: BL50 (MR11 Bullet Light)

Fixture Length: 6 in. (15.2 cm)
 Base Height: 1.75 in. (4.4 cm)
 Width: 1.75 in. (4.4 cm)



Notes:

Project:
Type:

Specifications and Features:

- Body:** Solid brass with an aged brass finish
- Knuckle:** Solid brass with dial adjustment for easy adjustments
- Shroud:** Brass with a clear glass convex lens and o-ring gasket
- Socket:** Spring loaded ceramic bi-pin socket with dual contact and lamp clips
- Wire:** 25 Foot wire lead, 16 awg (*UL Listed*), brown, Pre-connected to the fixture, Pre-stripped for easy wire connection
- Stake:** Plastic ground stake, attached to the fixture (8.5 in; 21.6 cm length)
- Warranty:** Lifetime warranty on fixture housing
- Certification:** Complies with the requirements of UL-1838 and CAN/CSA-C22.2 No. 250.7. Identified with the ETL and cETL Listed Mark.



Lamp Options

Model #	Base Type	Angle	Wattage	Lumen Output
LMR11-LED-4W-F	MR11	40°	4w	250lm
LMR11-20-36 (Halogen)	MR11	40°	20w	250lm

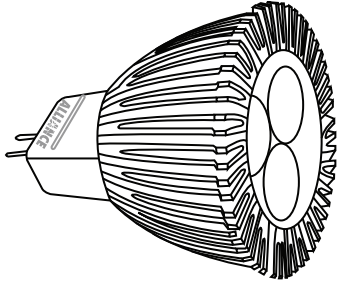
LED Ordering Guide: Model-Lamp Wattage-Lamp Angle
 Example: BL50-LED-4W-F

Accessories Available:

Mounting Accessories:	MR11 Accessories:
RISER6 - 6" brass riser, aged brass finish	Frosted Lens
RISER12 - 12" brass riser, aged brass finish	Hex Louver
RISER18 - 18" brass riser, aged brass finish	
RISERADJ - Adjustable plastic riser, aged brass cap	
RMB - Round Mounting Base	
GUTTERMOUNT	

Project:
Type:

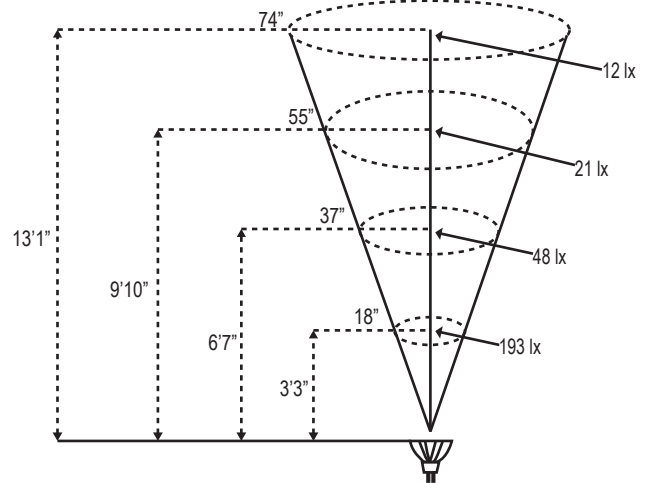
Model: LMR11-LED-4W-F (4 watt MR11 LED)



Specifications and Features:

- Watts:** 4
- Beam Angle:** 45°
- Beam Spread:** Flood
- Light Output:** 175 lumens
- Color:** Warm White
- Color Temperature:** 2900K
- Operating Voltage:** 12-24v
- CRI:** Ra>80
- LED Source:** CREE XPC
- Halogen Equivalent:** 20w
- Rated Hours:** 50,000 hrs
- Ambient Operating Temperature:** <72°C

Photometrics:



Notes: