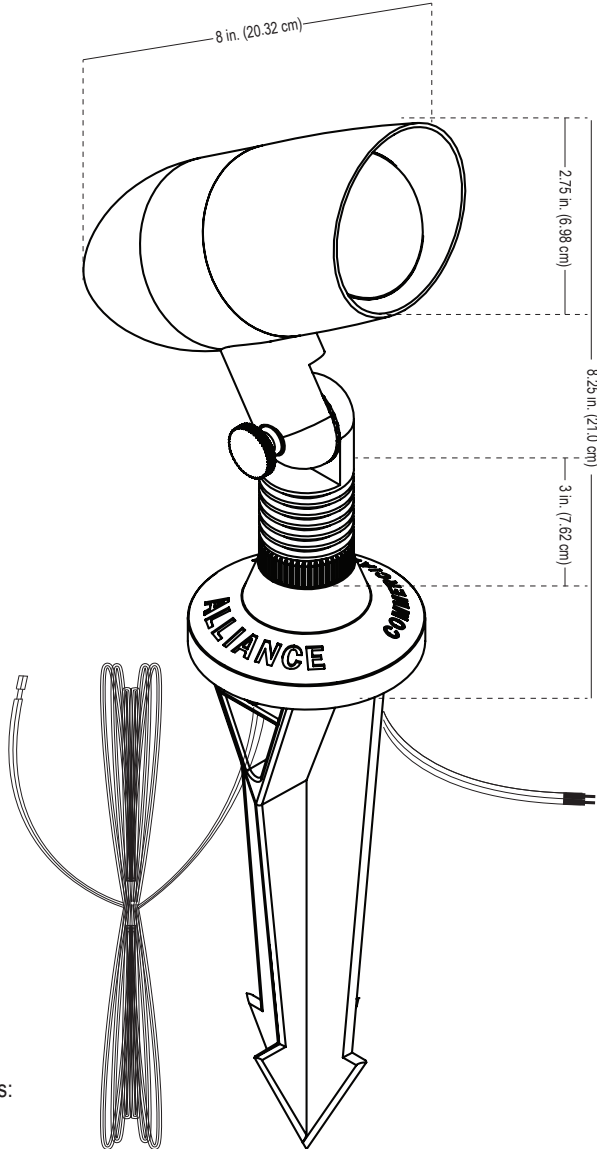


ALLIANCE

Specification Sheet

Model: CGBL01 (MR16 Bullet Light)

Fixture Length: 8 in. (20.32 cm)
 Fixture Height: 8.25 in. (21.0 cm)
 Base Height: 3 in. (7.62 cm)
 Width: 2.75 in. (6.98 cm)



Notes:

Project:
Type:

Specifications and Features:

Body: Solid brass with an aged brass finish

Knuckle: Solid brass with dial adjustment for easy adjustments

Shroud: Brass with a clear glass convex lens, with turn and lock fitting

Socket: Spring loaded ceramic bi-pin socket with dual contact and lamp clips

Wire: Industry First, double wire lead pre-connected to the fixture, 16 awg (UL listed), brown
 -25 foot wire lead, pre-stripped for easy wire connection
 -18 inch wire lead, LED connection ready

Stake: Plastic ground stake, attached to the fixture (8.5 in; 21.6 cm length) with a commercial grade brass stake collar

Warranty: Lifetime warranty on fixture housing

Certification: UL Listed to U.S. and Canadian safety standards for low voltage landscape luminaires (UL 1838)



Lamp Options

Model #	Base Type	Angle	Wattage	Lumen Output
LMR16-LED-4W-NS	MR16	15°	4w	250lm
LMR16-LED-4W-F	MR16	45°	4w	250lm
LMR16-LED-4W-WF	MR16	60°	4w	250lm
LMR16-LED-5W-NS	MR16	15°	5w	310lm
LMR16-LED-5W-F	MR16	45°	5w	310lm
LMR16-LED-5W-WF	MR16	60°	5w	310lm
LMR16-35-36 (Halogen)	MR16	45°	35w	310lm

LED Ordering Guide: Model-Lamp Wattage-Lamp Angle
 Example: CGBL01-LED-5W-F

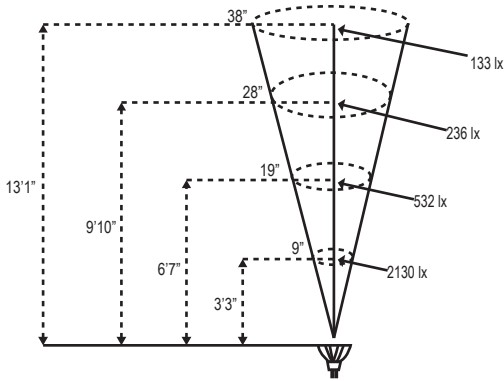
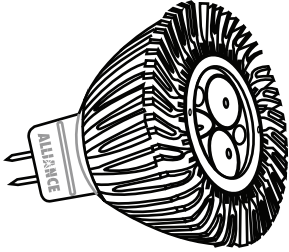
Accessories Available:

MR16 Accessories:
Linear Lens
Frosted Lens
Spread Lens
Blue Lens
Hex Louver

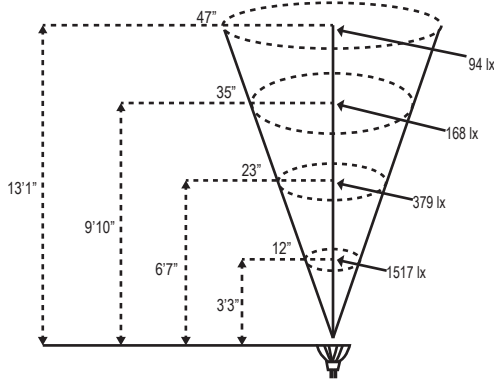
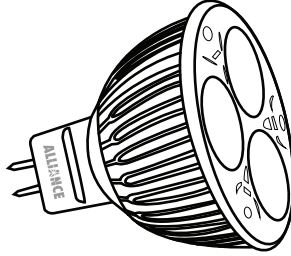
Project:
Type:

MR16 LED Photometric Comparisons

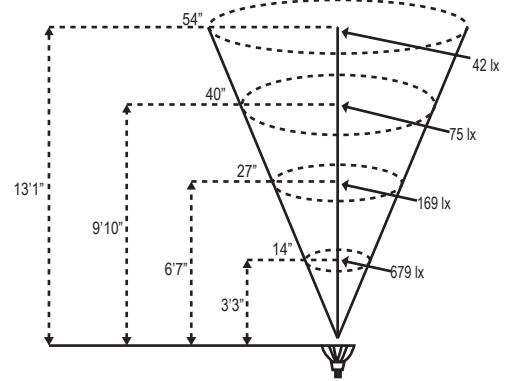
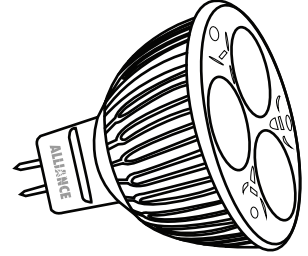
LMR16-LED-5W-NS



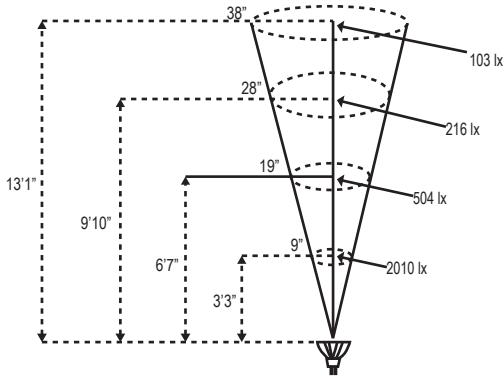
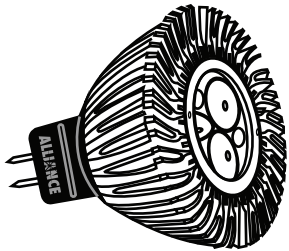
LMR16-LED-5W-F



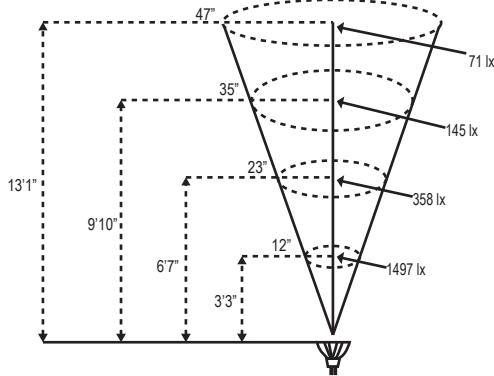
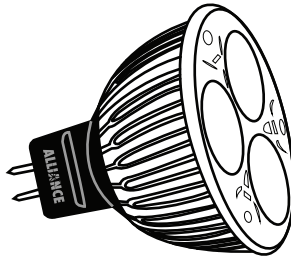
LMR16-LED-5W-WF



LMR16-LED-4W-NS



LMR16-LED-4W-F



LMR16-LED-4W-WF

