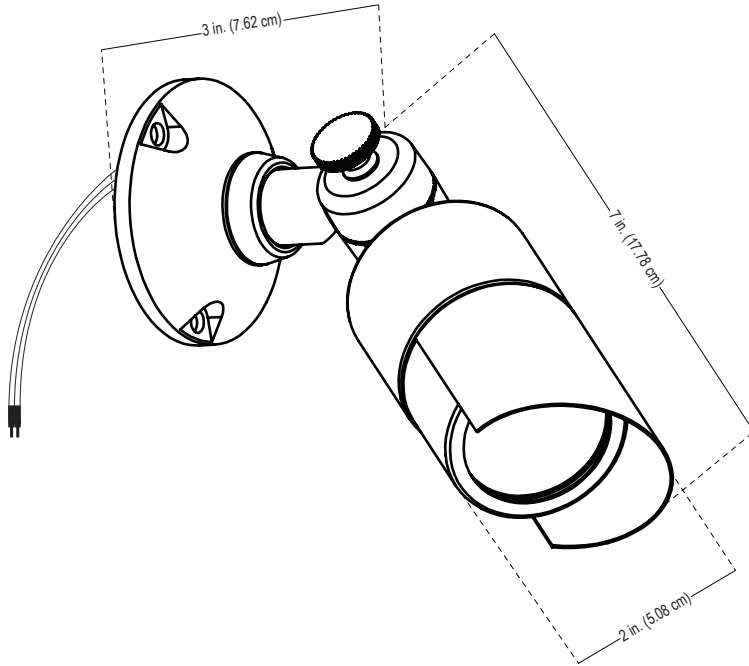


ALLIANCE

Specification Sheet

Model: DL105-COP (Copper Down Light)

Fixture Height: 7 in. (17.78 cm)
 Fixture Width: 2 in. (5.08 cm)
 Base Height: 3 in. (7.62 cm)



Notes:

Project:
Type:

Specifications and Features:

- Body:** Copper fixture, natural copper finish
- Knuckle:** Cast brass knuckle with dial adjustment, natural brass finish
- Shroud:** Fully adjustable copper shroud with rubber gasket
- Socket:** Spring loaded ceramic bi-pin socket with dual contact and lamp clips
- Wire:** 18 inch wire lead, 16 awg (UL listed), brown, Pre-connected to the fixture, Pre-stripped for easy wire connection
- Mounting Base:** Natural brass round mounting base
- Hardware:** Stainless steel screws for round mounting base
- Warranty:** Lifetime warranty on fixture housing

Lamp Options

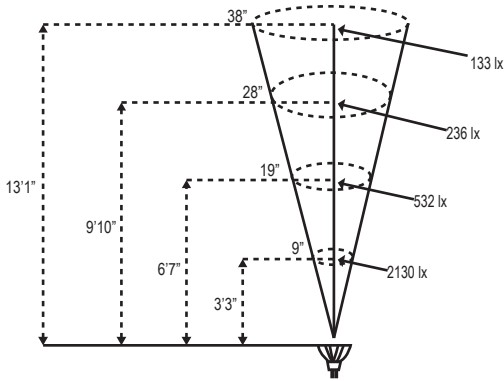
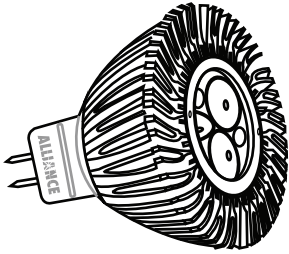
Model #	Base Type	Angle	Wattage	Lumen Output
LMR16-LED-4W-NS	MR16	15°	4w	250lm
LMR16-LED-4W-F	MR16	45°	4w	250lm
LMR16-LED-4W-WF	MR16	60°	4w	250lm
LMR16-LED-5W-NS	MR16	15°	5w	310lm
LMR16-LED-5W-F	MR16	45°	5w	310lm
LMR16-LED-5W-WF	MR16	60°	5w	310lm
LMR16-20-36 (Halogen)	MR16	45°	35w	310lm

LED Ordering Guide: Model-Lamp Wattage-Lamp Angle
 Example: DL105-COP-LED-5W-F

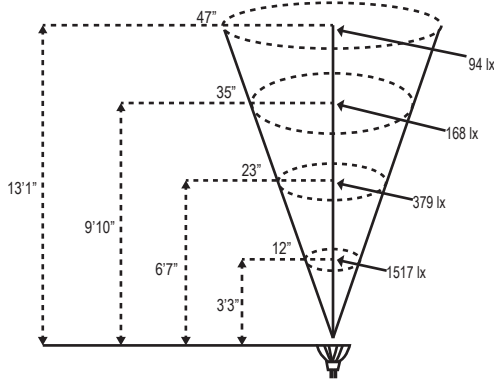
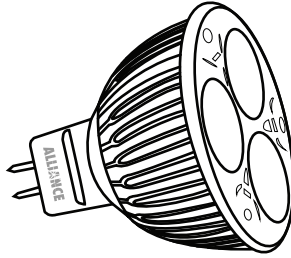
Project:
Type:

MR16 LED Photometric Comparisons

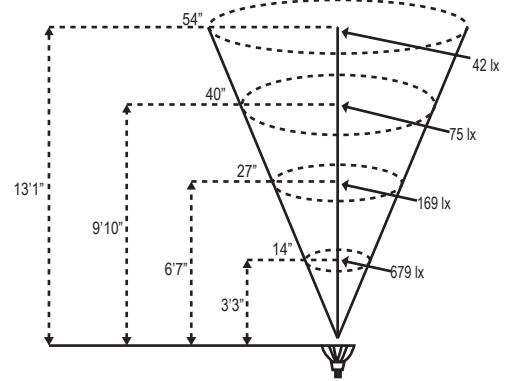
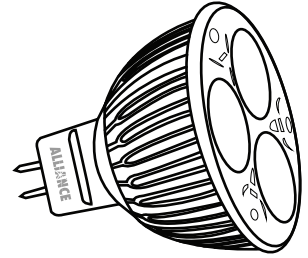
LMR16-LED-5W-NS



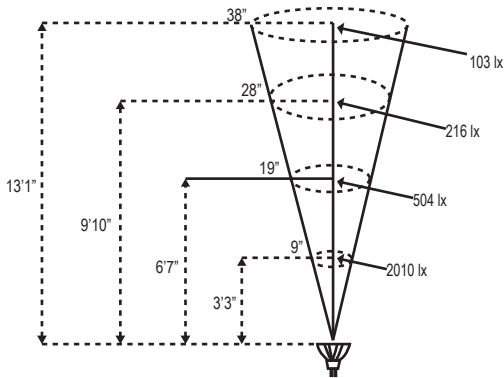
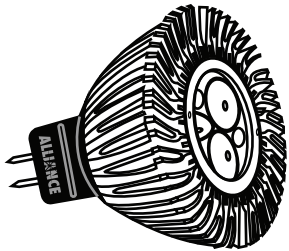
LMR16-LED-5W-F



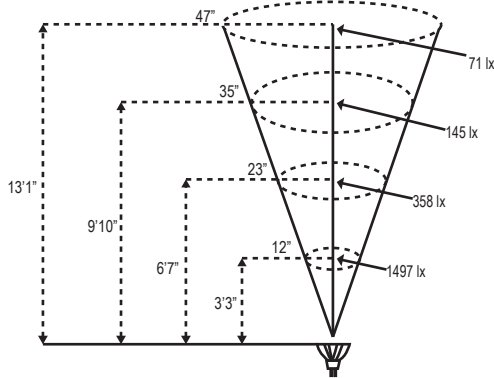
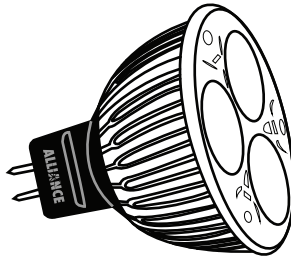
LMR16-LED-5W-WF



LMR16-LED-4W-NS



LMR16-LED-4W-F



LMR16-LED-4W-WF

