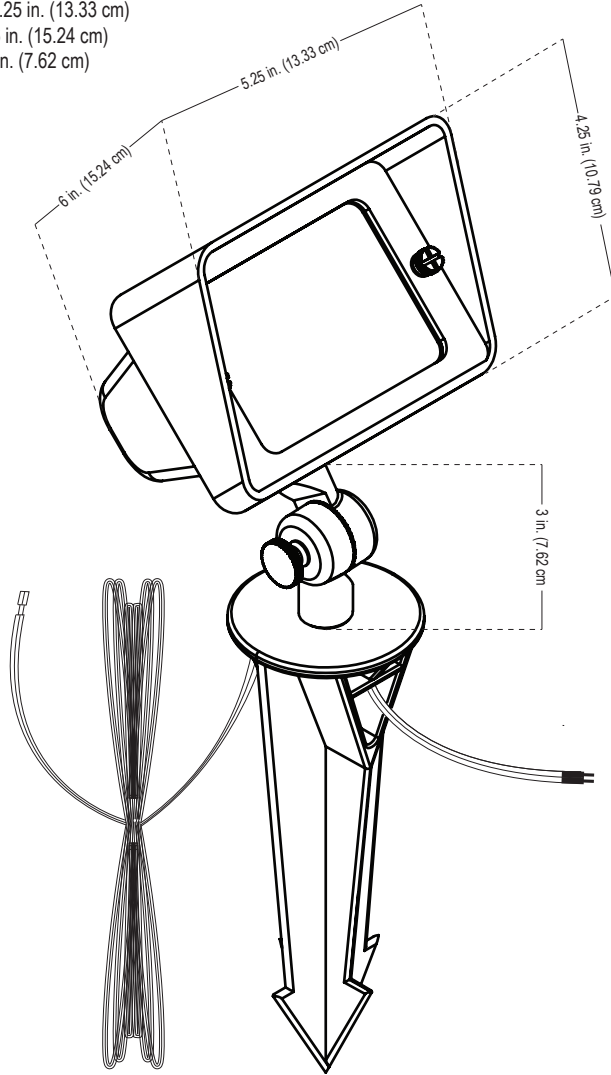


# ALLIANCE

## Specification Sheet

### Model: FL200 (MR16 Flood Light)

Fixture Height: 4.25 in. (10.79 cm)  
 Fixture Width: 5.25 in. (13.33 cm)  
 Fixture Depth: 6 in. (15.24 cm)  
 Base Height: 3 in. (7.62 cm)



Project:
Type:

#### Specifications and Features:

- Body:** Brass fixture, aged brass finish
- Knuckle:** Solid brass knuckle with dial adjustment
- Face plate:** Brass face plate with rubber gasket attached to fixture with 2 screws
- Lens:** Clear lens, Optional Frosted Lens Included
- Socket:** Spring loaded ceramic bi-pin socket with dual contact and lamp clips
- Wire:** Industry First, double wire lead pre-connected to the fixture, 16 awg (*UL listed*), brown
  - 25 foot wire lead, pre-stripped for easy wire connection
  - 18 inch wire lead, LED connection ready
- Stake:** Plastic ground stake, attached to the fixture (8.5 in; 21.6 cm length)
- Warranty:** Lifetime warranty on fixture housing
- Certification:** Complies with the requirements of UL-1838 and CAN/CSA-C22.2 No. 250.7. Identified with the ETL and cETL Listed Mark.



#### Lamp Options

Model #	Base Type	Angle	Wattage	Lumen Output
LMR16-LED-4W-NS	MR16	15°	4w	250lm
LMR16-LED-4W-F	MR16	45°	4w	250lm
LMR16-LED-4W-WF	MR16	60°	4w	250lm
LMR16-LED-5W-NS	MR16	15°	5w	310lm
LMR16-LED-5W-F	MR16	45°	5w	310lm
LMR16-LED-5W-WF	MR16	60°	5w	310lm
LMR16-35-36 (Halogen)	MR16	45°	35w	310lm

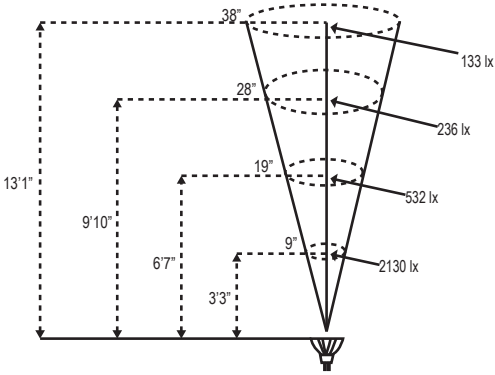
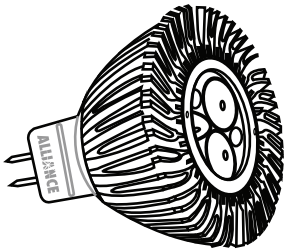
LED Ordering Guide: Model-Lamp Wattage-Lamp Angle  
 Example: FL200-LED-5W-F

Notes:

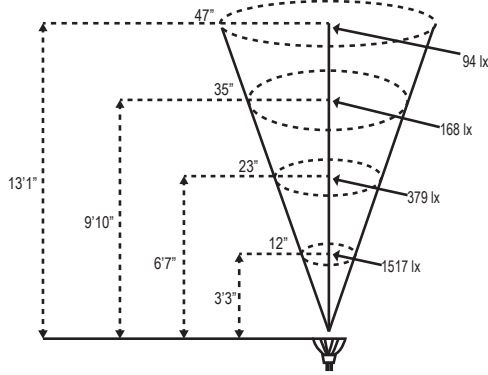
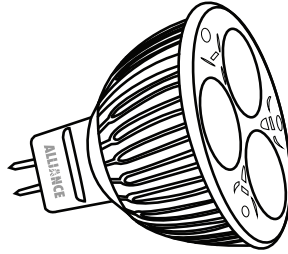
Project:
Type:

### MR16 LED Photometric Comparisons

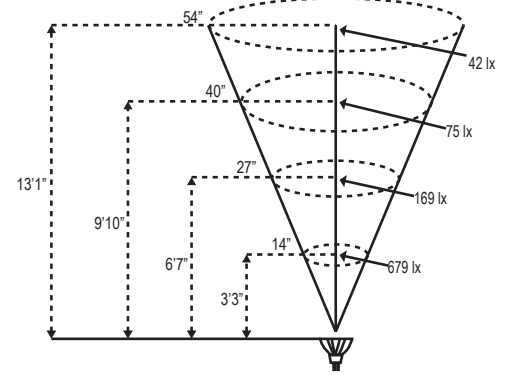
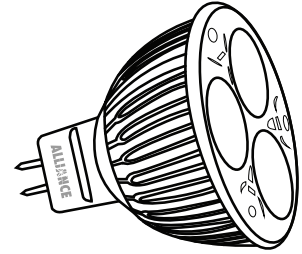
**LMR16-LED-5W-NS**



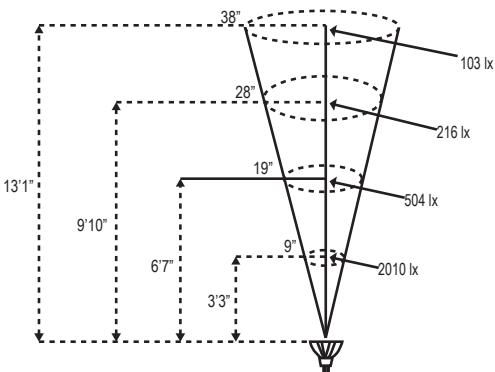
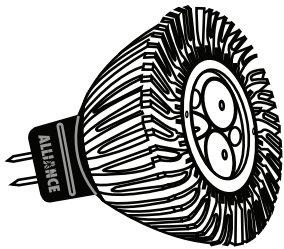
**LMR16-LED-5W-F**  
(also available in Blue, Red, Green and Amber)



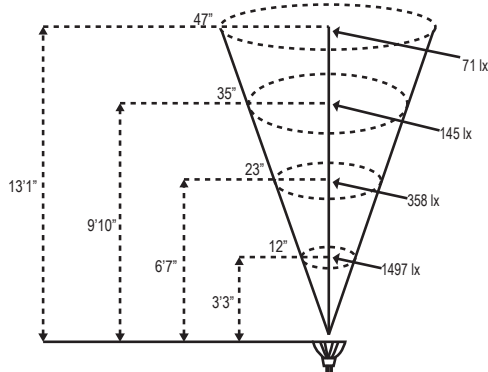
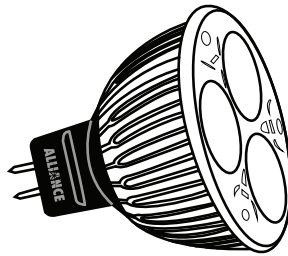
**LMR16-LED-5W-WF**



**LMR16-LED-4W-NS**



**LMR16-LED-4W-F**



**LMR16-LED-4W-WF**

