

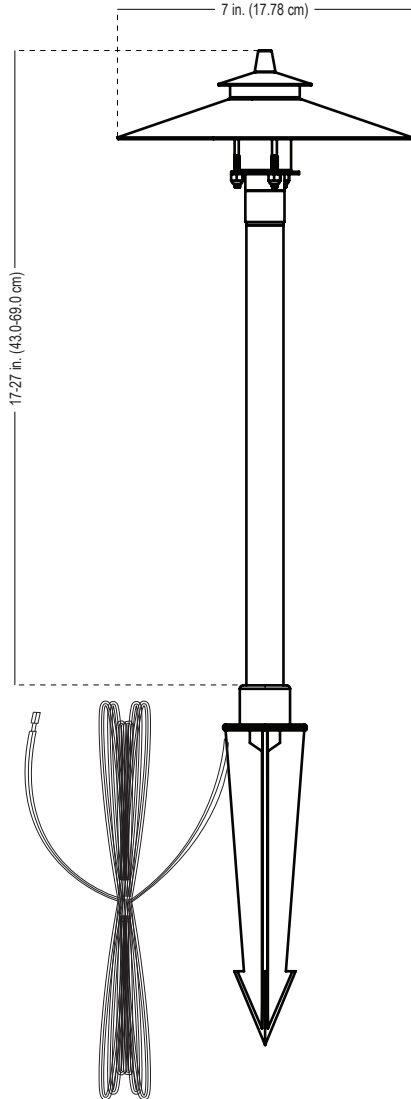
ALLIANCE

Specification Sheet

Project:
Type:

Model: PL200 (Path Light)

Fixture Height: 17-27 in. (43.0-69.0 cm)
 Stem Diameter: 1.6 in. (4.1 cm)
 Hat Diameter: 7 in. (17.78 cm)



Notes:

Specifications and Features:

- Stem:** Adjustable brass stem, 17"-27" length, aged brass finish
- Hat:** Solid brass area light hat
- Socket:** Spring loaded ceramic bi-pin socket with dual contact
- Lens:** Clear glass lens
- Wire:** 25' Foot wire lead, 16 awg (UL listed), brown, Pre-connected to the fixture, Pre-stripped for easy wire connection
- Stake:** Solid brass stake, attached to the fixture with a set screw (8.5 in; 21.6 cm length)
- Warranty:** Lifetime warranty on fixture housing
- Certifications:** Complies with the requirements of UL-1838 and CAN/CSA-C22.2 No. 250.7. Identified with the ETL and cETL Listed Mark.



Lamp Options

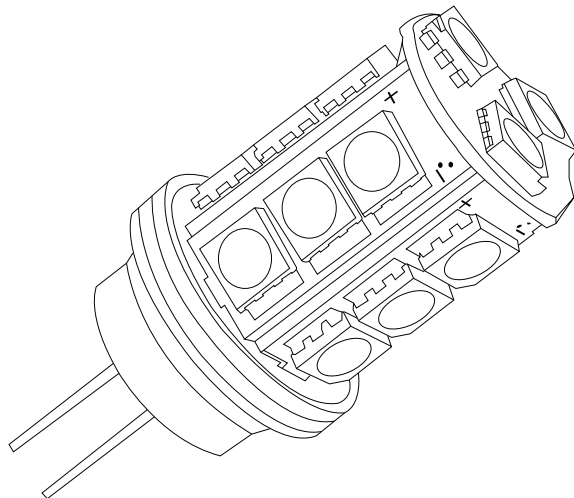
Model #	Base Type	Wattage	Lumen Output
LBIPIN-LED-3W	Bipin/G4	3w	150lm
LXELOGEN-20 (Halogen)	Bipin/G4	20w	150lm

LED Ordering Guide: Model-LED
 Example: PL200-LED

Project:

Type:

Model: LBIPIN-LED-3W (3 watt BIPIN LED)



Specifications and Features:

Watts: 3

Base Type: G4/BiPin

Light Output: 150 lumens

Color: Warm White

Color Temperatures: 2700K

Operating Voltage: 8-24v

CRI: Ra>80

LED Chip Qty: 18 Pieces

Halogen Equivalent: 20w

Rated Hours: 50,000 hrs

Ambient Operating Temperature: <72°C

Transformer Compatibility: Must be powered by magnetic transformer

Warranty: Five year limited warranty on LED components

Lamp Color Options

Model #	Color	Color Temp.	Base Type	Wattage	Lumen Output
LBIPINLED-3W-3K	Bright White	3000K	BIPIN/G4	3w	150lm
LBIPIN-LED-3W-AMBER*	Amber	Amber	BIPIN/G4	3w	150lm

*Turtle Safe

Notes: