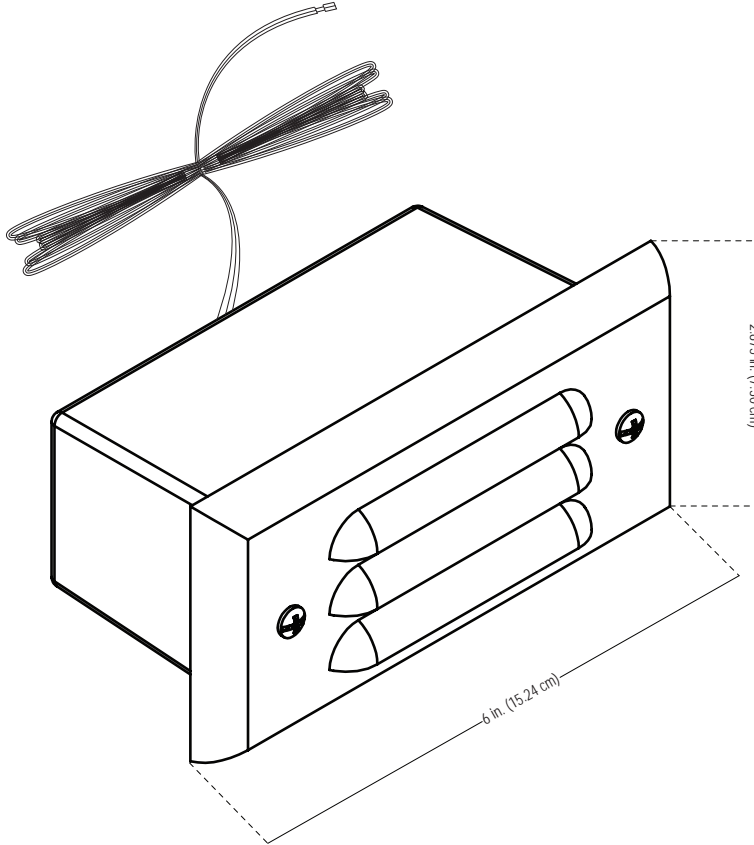


ALLIANCE

Specification Sheet

Model: SL200 (Step Light)

Fixture Height: 2.875 in. (7.30 cm)
 Fixture Width: 6 in. (15.24 cm)



Notes:

| |
|----------|
| Project: |
| Type: |

Specifications and Features:

Body: Brass fixture, aged brass finish

Face plate: Solid brass louvered face plate with securing screws and clear glass lens

Socket: Spring loaded ceramic bi-pin socket with dual contact

Wire: 25' Foot wire lead, 16 awg (UL listed), brown, Pre-connected to the fixture, Pre-stripped for easy wire connection

Warranty: Lifetime warranty on fixture housing

Certifications: Complies with the requirements of UL-1838 and CAN/CSA-C22.2 No. 250.7. Identified with the ETL and cETL Listed Mark.



Lamp Options

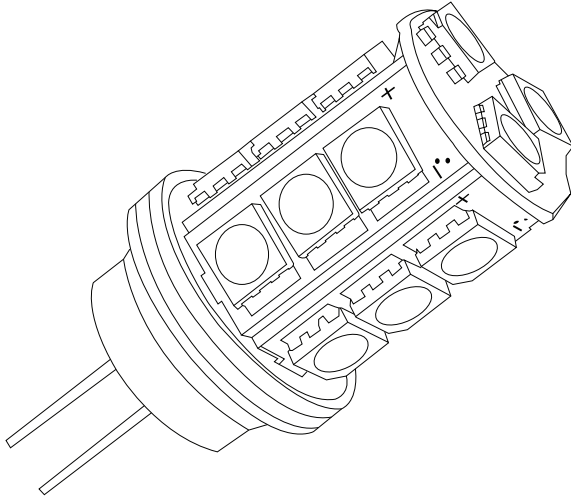
| Model # | Base Type | Wattage | Lumen Output |
|-----------------------|-----------|---------|--------------|
| LBIPIN-LED-3W | BIPIN/G4 | 3w | 150lm |
| LXELOGEN-20 (Halogen) | BIPIN/G4 | 20w | 150lm |

LED Ordering Guide: Model-LED

Example: SL200-LED

| |
|----------|
| Project: |
| Type: |

Model: LBIPIN-LED-3W (3 watt BIPIN LED)



Specifications and Features:

- Watts:** 3
- Base Type:** G4/BiPin
- Light Output:** 150 lumens
- Color:** Warm White
- Color Temperatures:** 2700K
- Operating Voltage:** 8-24v
- CRI:** Ra>80
- LED Chip Qty:** 18 Pieces
- Halogen Equivalent:** 20w
- Rated Hours:** 50,000 hrs
- Ambient Operating Temperature:** <72°C
- Transformer Compatibility:** Must be powered by magnetic transformer
- Warranty:** Five year limited warranty on LED components

Lamp Color Options

| Model # | Color | Color Temp. | Base Type | Wattage | Lumen Output |
|----------------------|--------------|-------------|-----------|---------|--------------|
| LBIPINLED-3W-3K | Bright White | 3000K | BIPIN/G4 | 3w | 150lm |
| LBIPIN-LED-3W-AMBER* | Amber | Amber | BIPIN/G4 | 3w | 150lm |

*Turtle Safe

Notes: