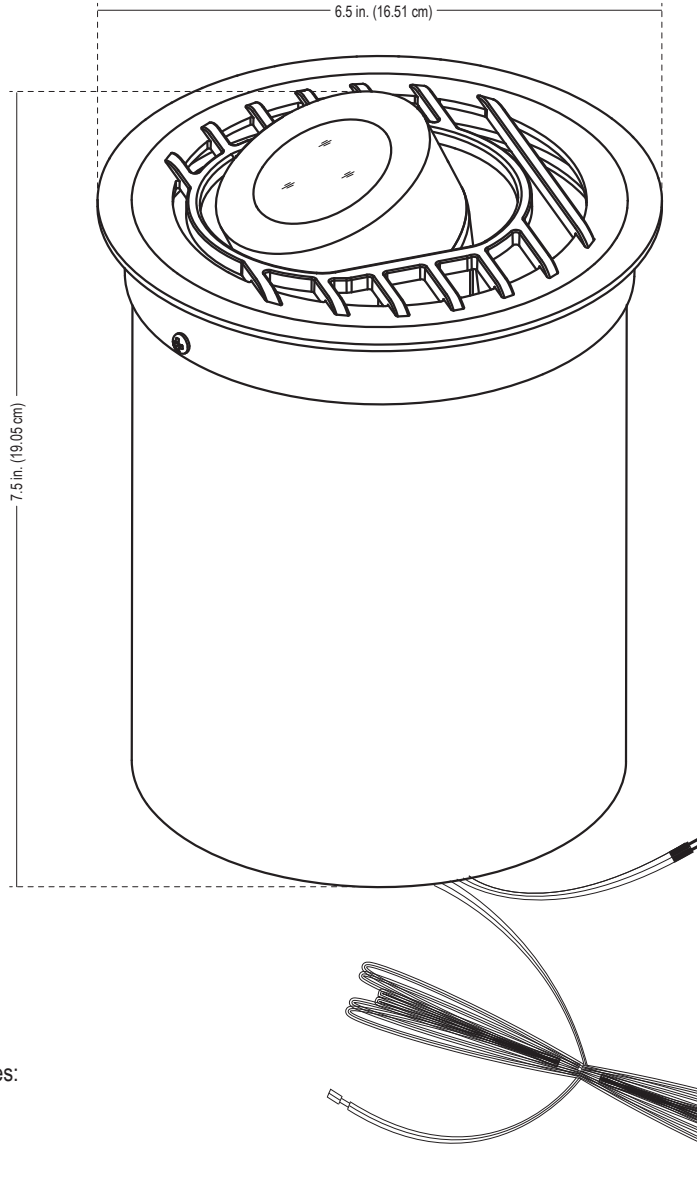


ALLIANCE

Specification Sheet

Model: WL300 (MR16 Well Light)

Fixture Height: 7.5 in. (19.05 cm)
 Can Diameter: 5.75 in. (14.60 cm)
 Grate Diameter: 6.5 in. (16.51 cm)



Notes:

Project:
Type:

Specifications and Features:

Grate: Aged brass louvered grate with lamp holder

Can: ABS housing, black

Lamp housing: Aged brass lamp holder, on a brass track with grooves for height adjustments and a swivel mount for adjusting the direction of the light beam

Socket: Spring loaded ceramic bi-pin socket with dual contact and lamp clips

Wire: Industry First, double wire lead pre-connected to the fixture, 16 awg (*UL listed*), brown
 -25 foot wire lead, pre-stripped for easy wire connection
 -18 inch wire lead, LED connection ready

Warranty: Lifetime warranty on fixture housing

Lamp Options

Model #	Base Type	Angle	Wattage	Lumen Output
LMR16-LED-4W-NS	MR16	15°	4w	250lm
LMR16-LED-4W-F	MR16	45°	4w	250lm
LMR16-LED-4W-WF	MR16	60°	4w	250lm
LMR16-LED-5W-NS	MR16	15°	5w	310lm
LMR16-LED-5W-F	MR16	45°	5w	310lm
LMR16-LED-5W-WF	MR16	60°	5w	310lm
LMR16-35-36 (Halogen)	MR16	45°	35w	310lm

LED Ordering Guide: Model-Lamp Wattage-Lamp Angle
 Example: WL300-LED-5W-F

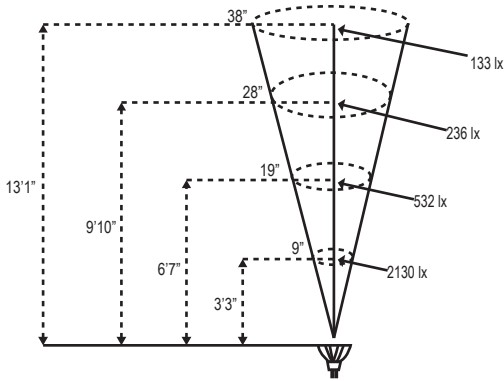
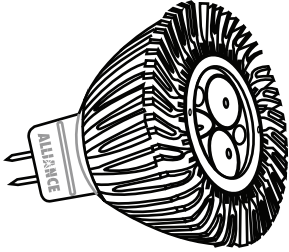
Accessories Available:

MR16 Accessories:
Linear Lens
Frosted Lens
Spread Lens
Blue Lens
Hex Louver

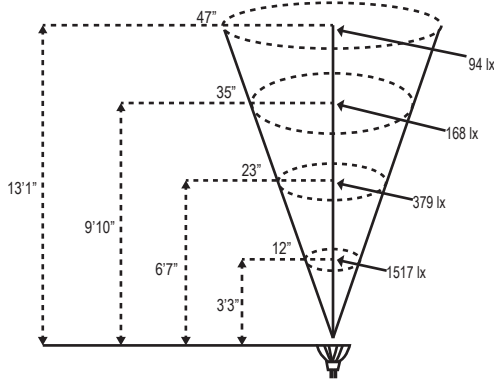
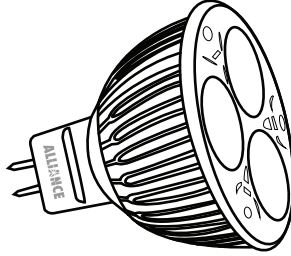
Project:
Type:

MR16 LED Photometric Comparisons

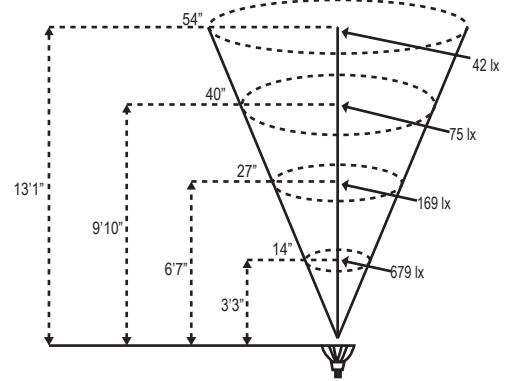
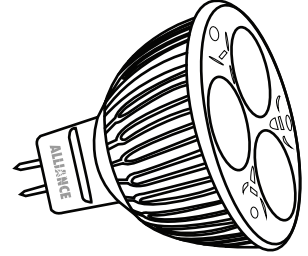
LMR16-LED-5W-NS



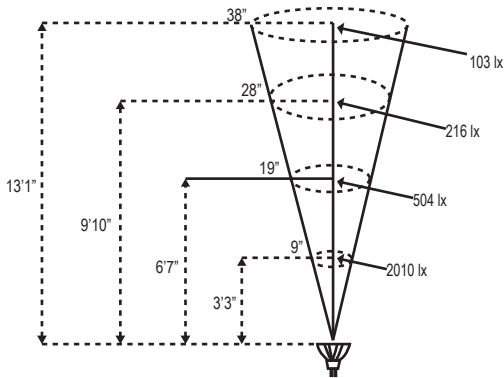
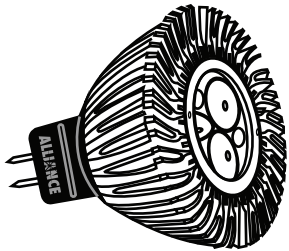
LMR16-LED-5W-F



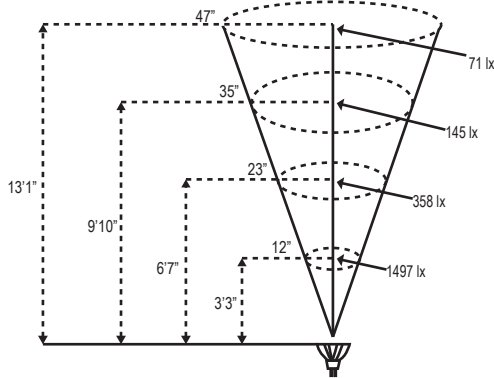
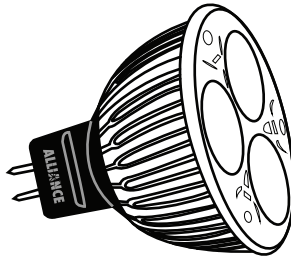
LMR16-LED-5W-WF



LMR16-LED-4W-NS



LMR16-LED-4W-F



LMR16-LED-4W-WF

