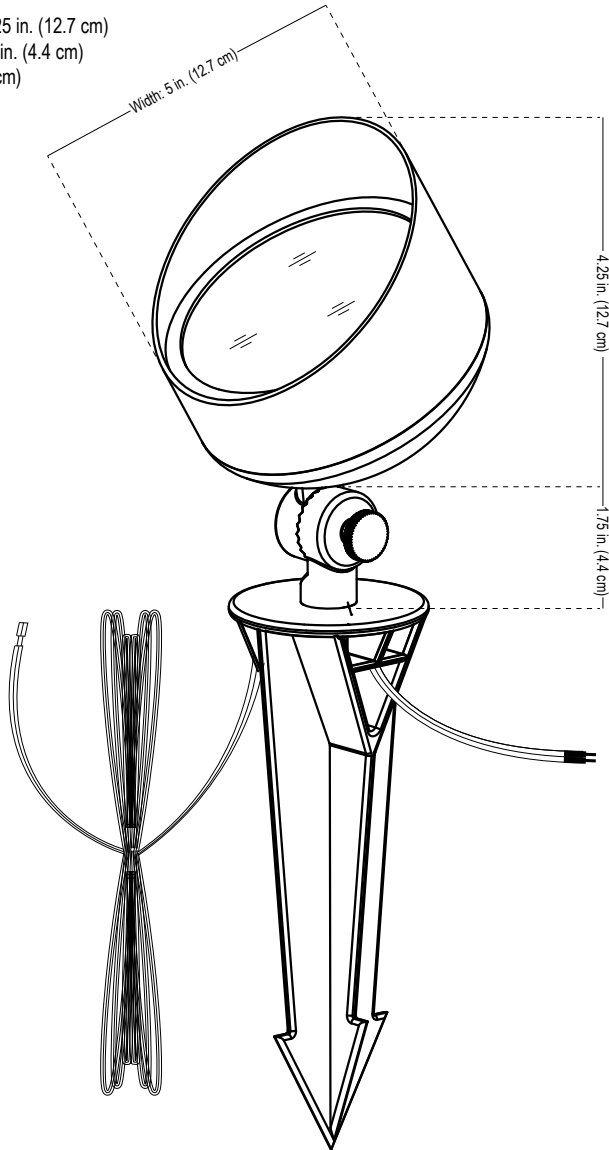


ALLIANCE

Specification Sheet

Model: BL350 (MR16 Bullet Light)

Fixture Length: 4.25 in. (12.7 cm)
 Base Height: 1.75 in. (4.4 cm)
 Width: 5 in. (12.7 cm)



Notes:

| |
|----------|
| Project: |
| Type: |

Specifications and Features:

- Body:** Solid brass with an aged brass finish
- Knuckle:** Solid brass with dial adjustment for easy adjustments
- Shroud:** Brass with a clear glass lens and turn and lock fitting
- Socket:** Spring loaded ceramic bi-pin socket with dual contact and lamp clips
- Wire:** Industry First, double wire lead pre-connected to the fixture, 16 awg (*UL listed*), brown
 - 25 foot wire lead, pre-stripped for easy wire connection
 - 18 inch wire lead, LED connection ready
- Stake:** Plastic ground stake, attached to the fixture (8.5 in; 21.6 cm length)
- Warranty:** Lifetime warranty on fixture housing
- Certification:** Complies with the requirements of UL-1838 and CAN/CSA-C22.2 No. 250.7. Identified with the ETL and cETL Listed Mark.



Lamp Options

| Model # | Base Type | Angle | Wattage | Lumen Output |
|-----------------------|-----------|-------|---------|--------------|
| LMR16-LED-4W-NS | MR16 | 15° | 4w | 250lm |
| LMR16-LED-4W-F | MR16 | 45° | 4w | 250lm |
| LMR16-LED-4W-WF | MR16 | 60° | 4w | 250lm |
| LMR16-LED-5W-NS | MR16 | 15° | 5w | 310lm |
| LMR16-LED-5W-F | MR16 | 45° | 5w | 310lm |
| LMR16-LED-5W-WF | MR16 | 60° | 5w | 310lm |
| LMR16-LED-6W-F | MR16 | 45° | 6w | 400lm |
| LMR16-35-36 (Halogen) | MR16 | 45° | 35w | 310lm |

LED Ordering Guide: Model-Lamp Wattage-Lamp Angle
 Example: BL350-LED-5W-F

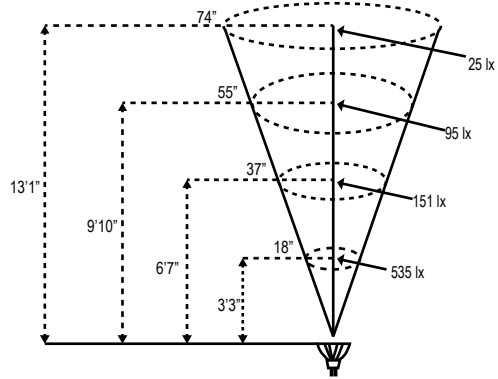
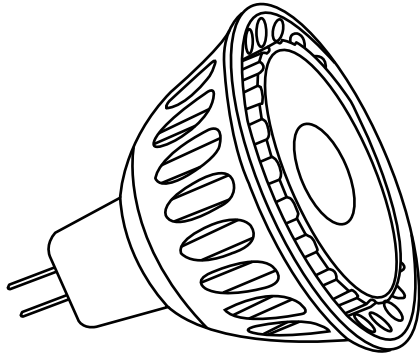
Accessories Available:

| |
|---|
| Mounting Accessories: |
| RISER6 - 6" brass riser, aged brass finish |
| RISER12 - 12" brass riser, aged brass finish |
| RISER18 - 18" brass riser, aged brass finish |
| RISERADJ - Adjustable plastic riser, aged brass cap |
| RMB - Round Mounting Base |
| GUTTERMOUNT |

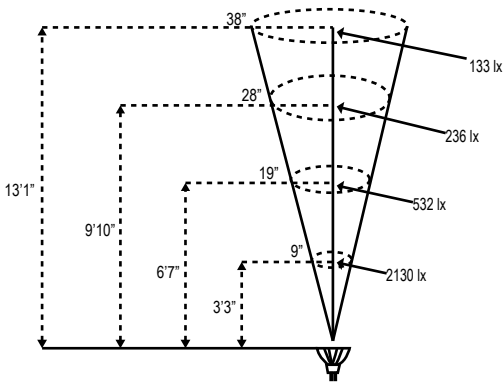
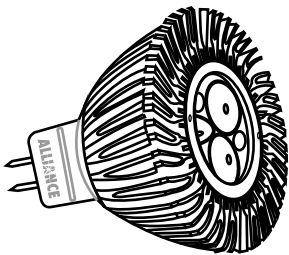
| |
|----------|
| Project: |
| Type: |

MR16 LED Photometric Comparisons

LMR16-LED-6W-F

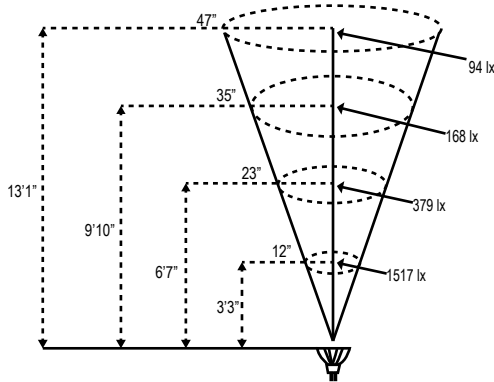
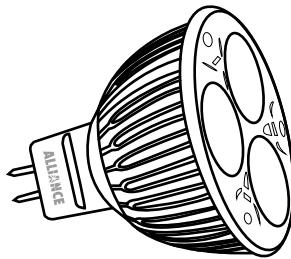


LMR16-LED-5W-NS

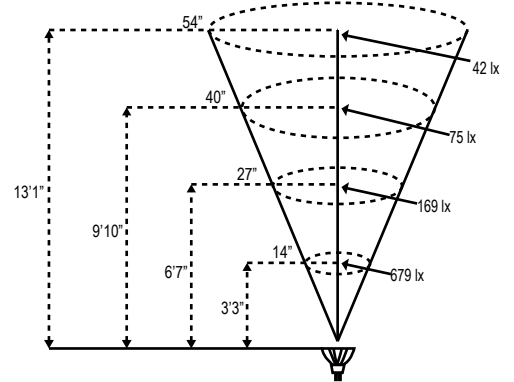
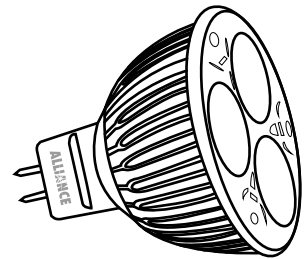


LMR16-LED-5W-F

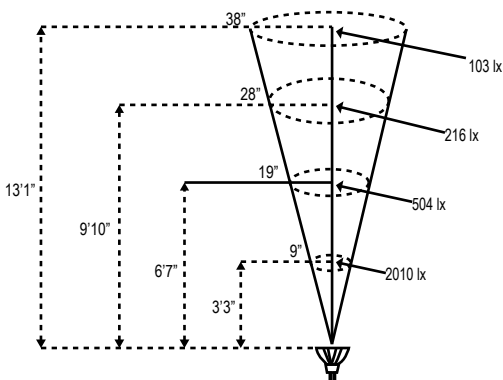
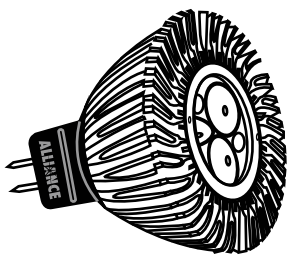
(also available in Blue, Red, Green and Amber)



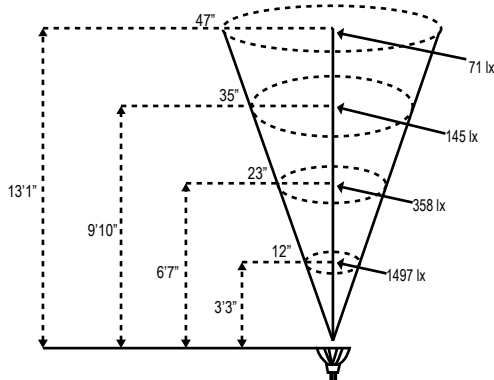
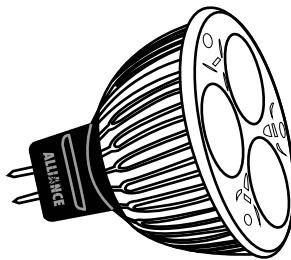
LMR16-LED-5W-WF



LMR16-LED-4W-NS



LMR16-LED-4W-F



LMR16-LED-4W-WF

