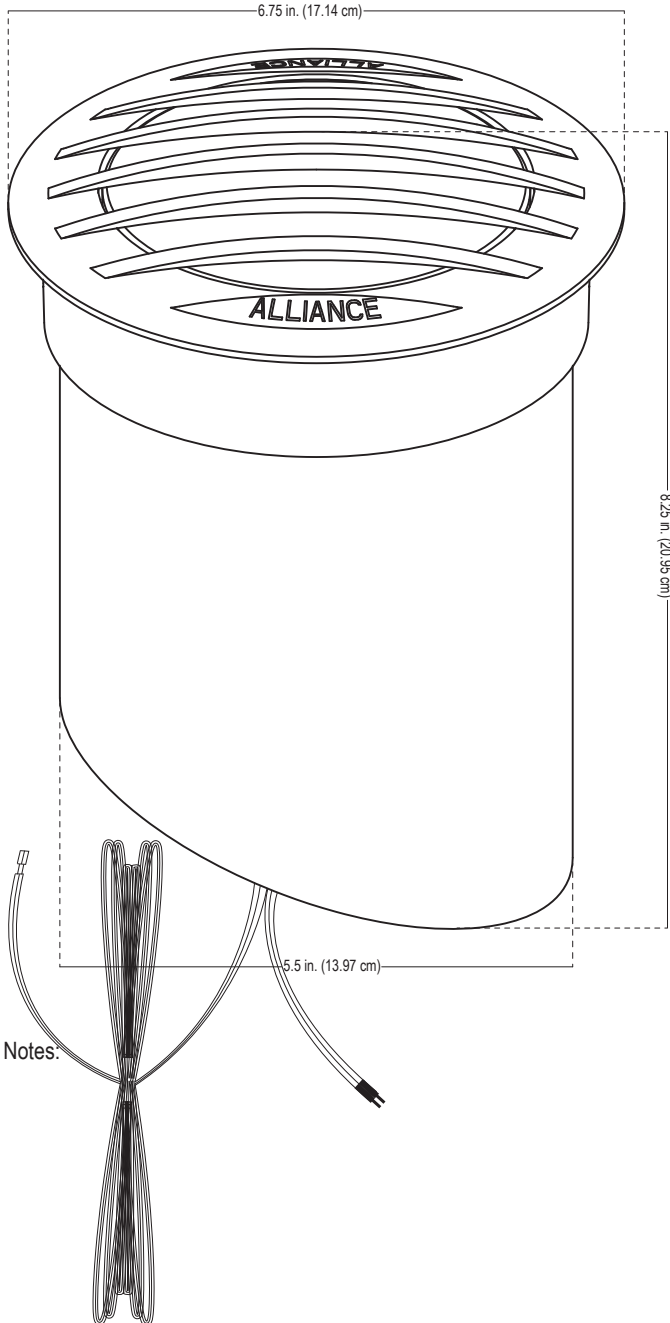


ALLIANCE

Specification Sheet

Model: CGWL01 (PAR36 Commercial Grade Well Light)

Fixture Height: 8.25 in. (20.95 cm)
 Can Diameter: 5.5 in. (13.97 cm)
 Grate Diameter: 6.75 in. (17.14 cm)



Project:
Type:

Specifications and Features:

- Grate:** Heavy brass grate, aged brass finish, locking hex screws
- Lens:** Clear glass convex lens, tempered
- Socket:** Spade connectors for LPAR36 connection
- Lamp Ring:** Lamp retainer ring, stainless steel
- Wire:** Double wire lead pre-connected to the fixture, 16 awg (*UL listed*), brown
 - 25 foot wire lead, pre-stripped for easy wire connection
 - 18 inch wire lead, LED connection ready
- Can:** ABS housing, black
- Warranty:** Lifetime warranty on fixture housing
- Certifications:** Complies with the requirements of UL-1838 and CAN/CSA-C22.2 No. 250.7. Identified with the ETL and cETL Listed Mark.



Lamp Options

Model #	Base Type	Angle	Wattage	Lumen Output
LPAR36-LED-4W-F	PAR36	20°	4w	250lm
LPAR36-LED-4W-WF	PAR36	40°	4w	250lm
LPAR36-LED-8W-F	PAR36	20°	8w	300lm
LPAR36-LED-8W-WF	PAR36	40°	8w	300lm
LPAR36-LED-10W-F	PAR36	30°	10w	400lm
LPAR36-LED-10W-WF	PAR36	45°	10w	400lm
LPAR36-35 (Halogen)	PAR36	45°	35w	300lm

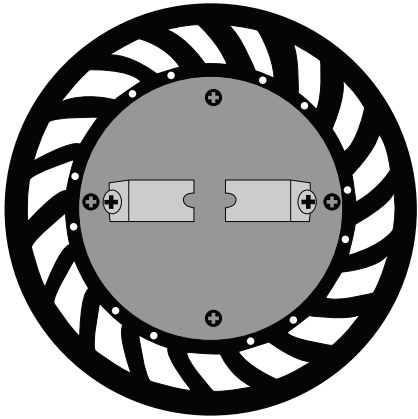
LED Ordering Guide: Model-Lamp Wattage-Lamp Angle
 Example: CGWL01-LED-8W-WF

Accessories Available:

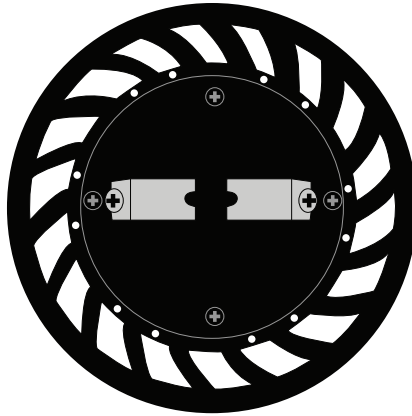
PAR36 Accessories:
Hex Louver

Project:
Type:

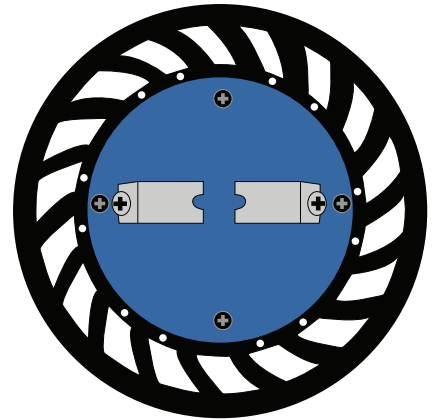
LPAR36 LED Photometric Comparisons



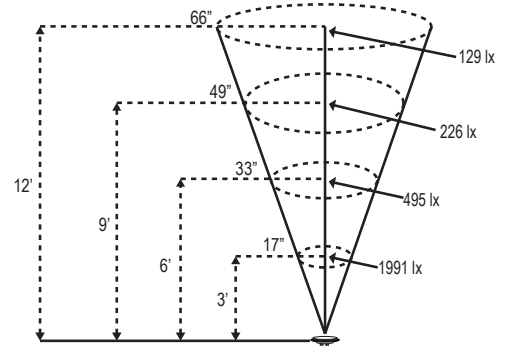
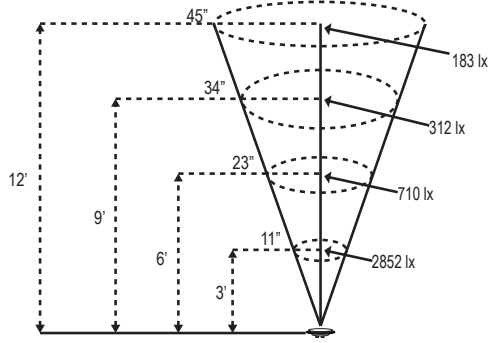
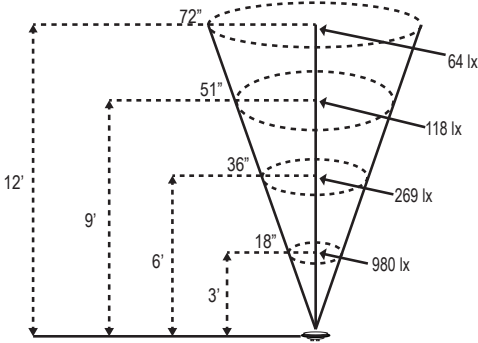
LPAR36-LED-4W-F



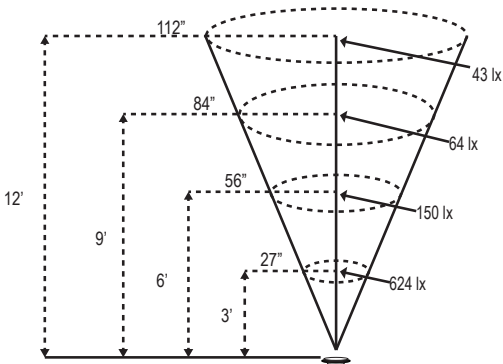
LPAR36-LED-8W-F



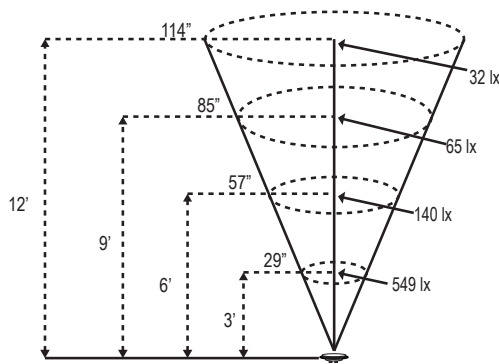
LPAR36-LED-10W-F



LPAR36-LED-4W-WF



LPAR36-LED-8W-WF



LPAR36-LED-10W-WF

