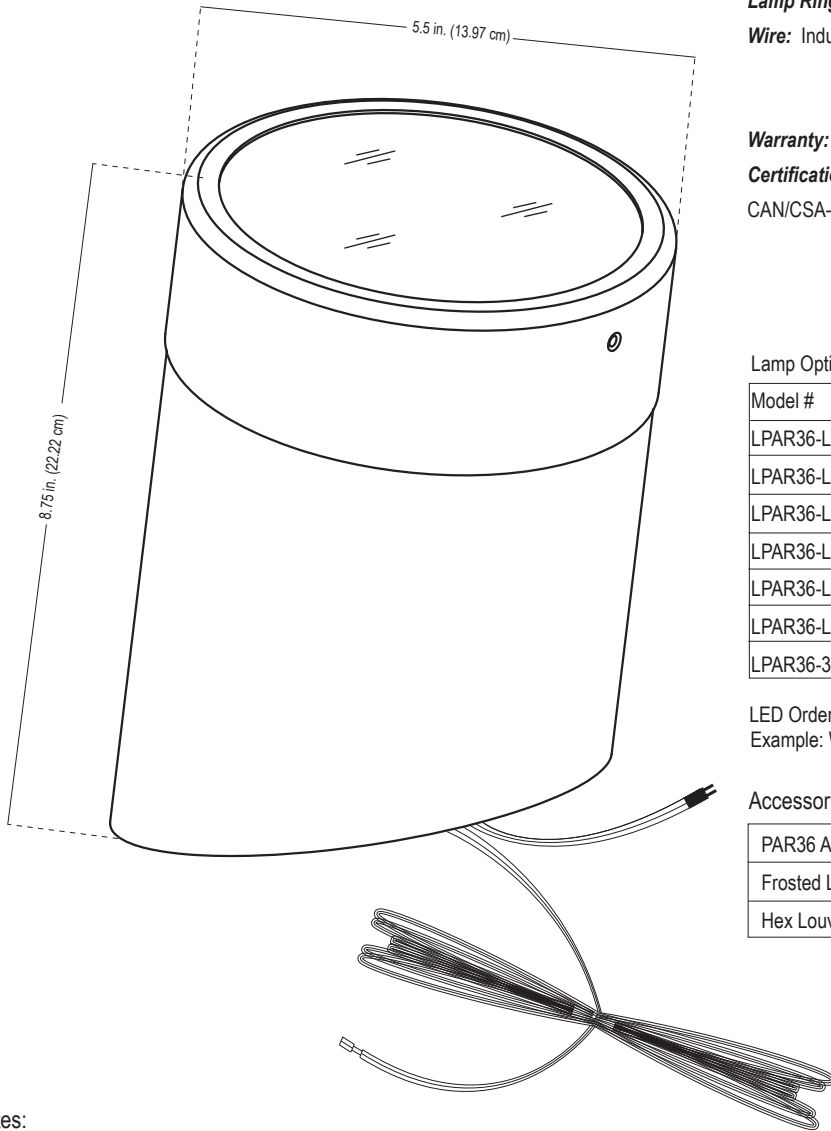


# ALLIANCE

## Specification Sheet

### Model: WL200 (PAR36 Well Light)

Fixture Height: 8.75 in. (22.22 cm)  
 Can Diameter: 5.5 in. (13.97 cm)  
 Grate Diameter: 5.5 in. (13.97 cm)



Notes:

Project:
Type:

#### Specifications and Features:

**Grate:** Aged brass debris guard with clear glass lens

**Can:** ABS housing, black, angled on one end

**Socket:** Spade connectors for LPAR36 connection

**Lamp Ring:** Lamp retainer ring, stainless steel

**Wire:** Industry First, double wire lead pre-connected to the fixture, 16 awg (*UL listed*), brown  
 -25 foot wire lead, pre-stripped for easy wire connection  
 -18 inch wire lead, LED connection ready

**Warranty:** Lifetime warranty on fixture housing

**Certifications:** Complies with the requirements of UL-1838 and CAN/CSA-C22.2 No. 250.7. Identified with the ETL and cETL Listed Mark.



#### Lamp Options

Model #	Base Type	Angle	Wattage	Lumen Output
LPAR36-LED-4W-F	PAR36	20°	4w	250lm
LPAR36-LED-4W-WF	PAR36	40°	4w	250lm
LPAR36-LED-8W-F	PAR36	20°	8w	300lm
LPAR36-LED-8W-WF	PAR36	40°	8w	300lm
LPAR36-LED-10W-F	PAR36	30°	10w	400lm
LPAR36-LED-10W-WF	PAR36	45°	10w	400lm
LPAR36-35 (Halogen)	PAR36	45°	35w	300lm

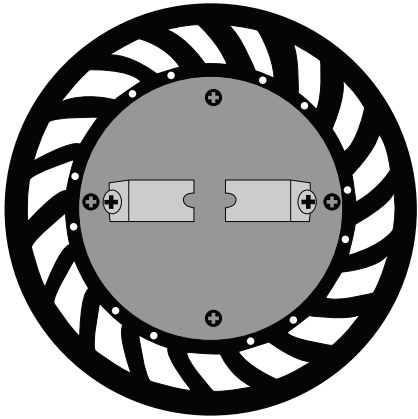
LED Ordering Guide: Model-Lamp Wattage-Lamp Angle  
 Example: WL200-LED-8W-WF

#### Accessories Available:

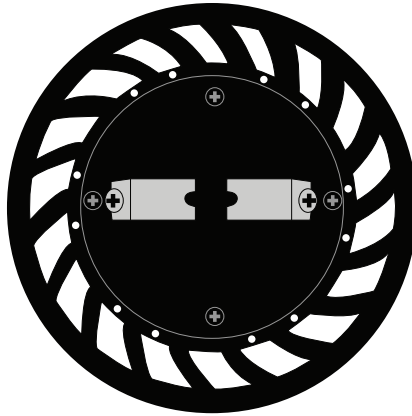
PAR36 Accessories:
Frosted Lens
Hex Louver

Project:
Type:

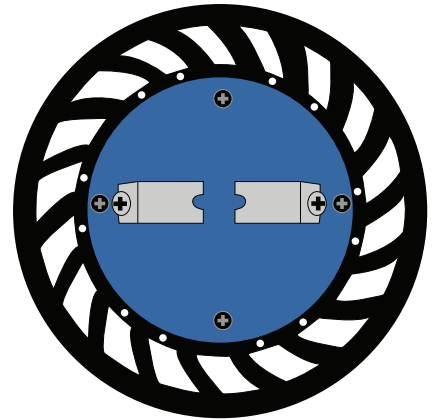
### LPAR36 LED Photometric Comparisons



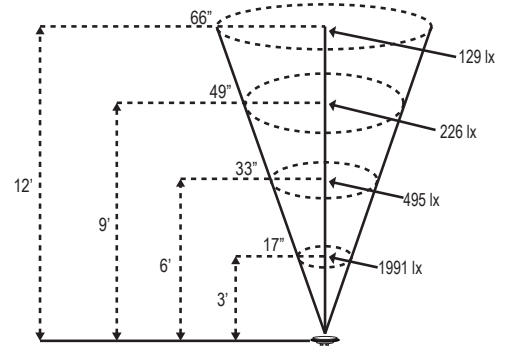
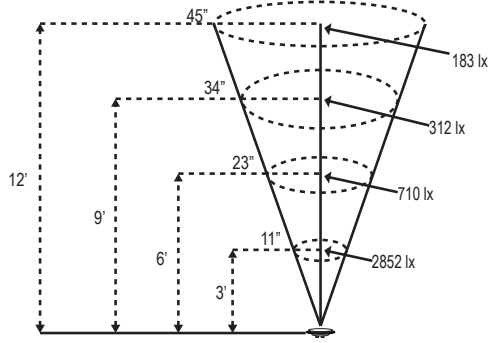
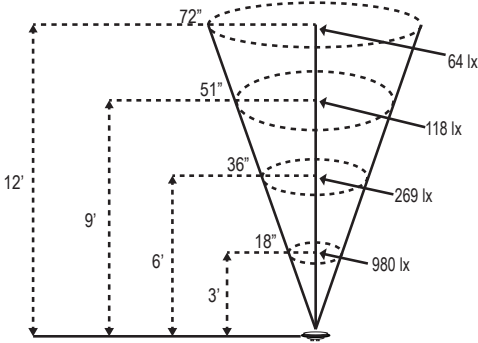
LPAR36-LED-4W-F



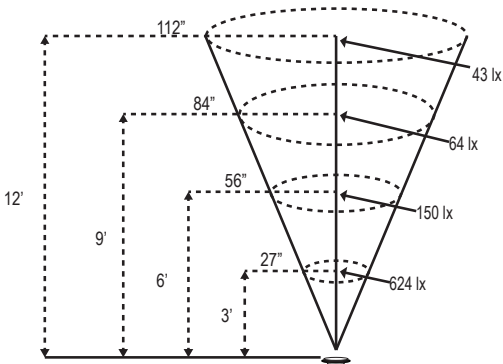
LPAR36-LED-8W-F



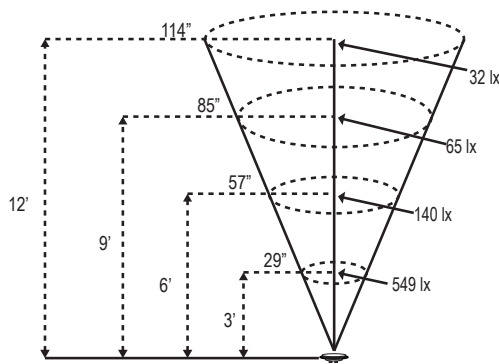
LPAR36-LED-10W-F



LPAR36-LED-4W-WF



LPAR36-LED-8W-WF



LPAR36-LED-10W-WF

